

# ASSEMBLY INSTRUCTIONS

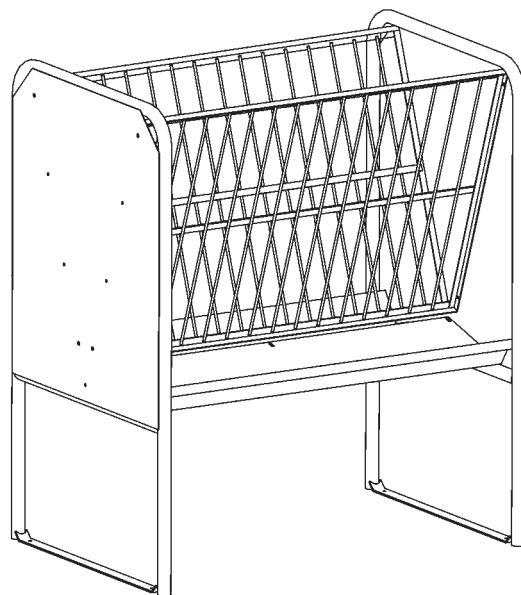
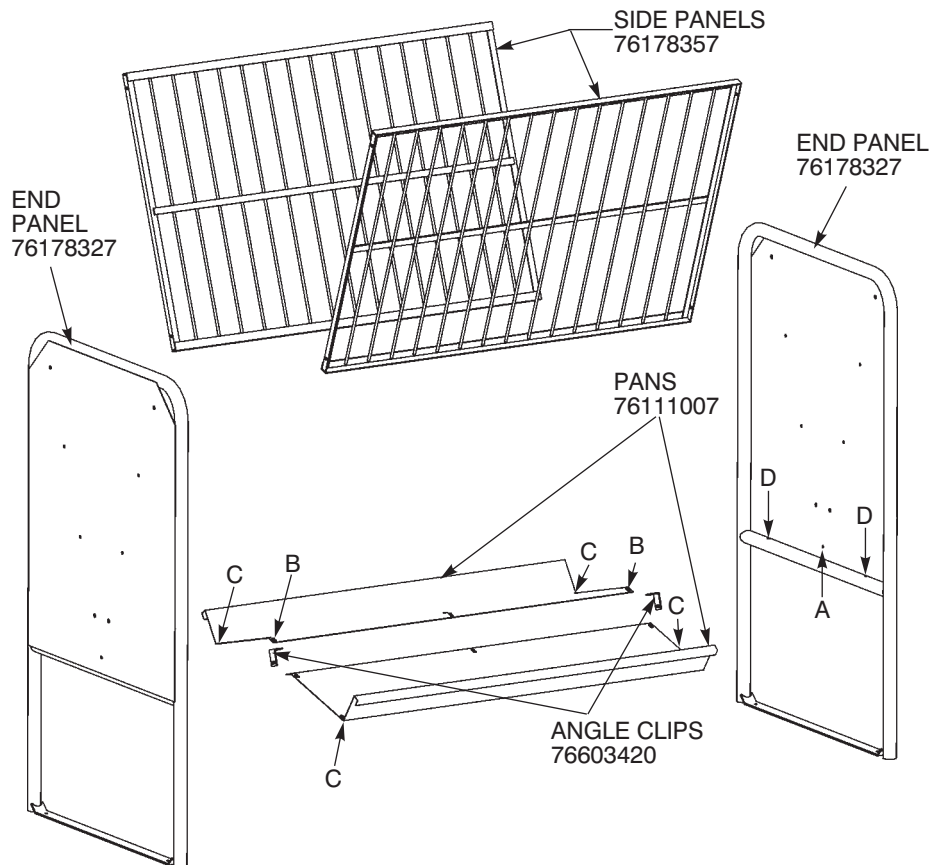
## Horse Yard Feeder 76078507

## Hardware Pkg. 76900268

### THANK YOU FOR PURCHASING THIS PRODUCT

For questions about this product, or for parts inquiries, please contact our Customer Service Center listed below.

1. Attach one (76603420) Angle Clip to the bottom hole (A) on the (76178327) End Panel snugly, but not tight. Rotate this clip to one side or the other at about a 30 degree angle. This clip will attach to the Pan Ass'y. when installed.
2. Attach the other Angle Clip to the other End Panel the same way.
3. Assemble the two Pan halves (76111007) together, overlapping down the center. Leave out one end bolt at each end of the Pan Ass'y. (B) that will line up with the Angle Clip on the End Panel.
4. Attach one end of the Pan Ass'y. to one of the End Panels. Run two 1½" bolts and washers through the Pan Ass'y. ends (C) and through the Cross Tube (D) on the End Panel Ass'y. Tighten down with washer and nut.
5. Attach the other End Panel to the other end of the Pan Ass'y. Secure with nuts and bolts in the same manner as the other side, leaving these loose.
6. Attach one Side Panel (76178357) to the End Panel at each end. Install so that the angles face downward. This will prevent water from settling in this area. Leave bolts loose to be able to get the other Side Panel in place. Install the other Side Panel in the same manner as the first.
7. At this point all major components of the Yard Feeder should be attached. Finish assembly by tightening all loose bolts.



# Behlen COUNTRY

## CUSTOMER SERVICE CENTER

PO Box 569  
Columbus, NE  
68602-0569

Ph: 1-800-447-2751  
Fax: (402) 563-7447  
www.behlencountry.com