

ASSEMBLY INSTRUCTIONS

Crowd Alley Headgate Stand 46180242



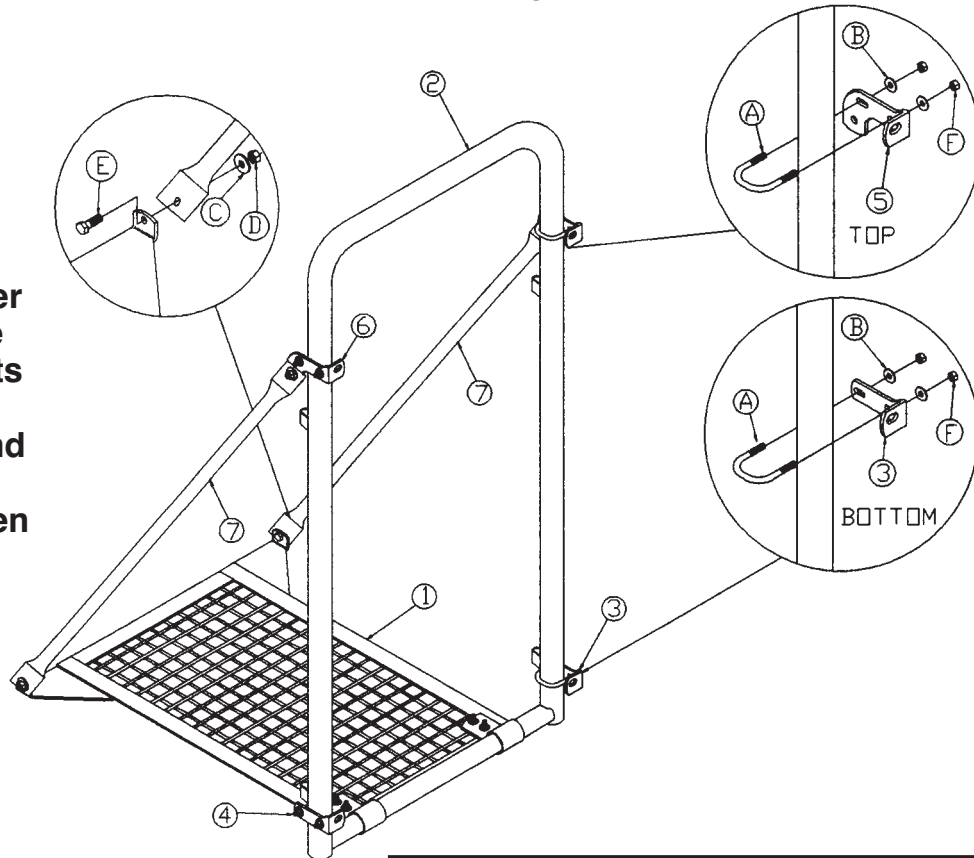
Hardware Pkg.
46900038

THANK YOU FOR PURCHASING THIS PRODUCT

For questions about this product, or parts inquiries, please contact our Customer Service Center listed below.

1. Position the Headgate stand at the end of the Crowd Alley. Next, attach the ends of the crowd alley panels to the four welded hookups located on the arch of the headgate stand. Then bolt the headgate brackets to the arch using the U-bolts. After the brackets are assembled onto the arch,
- attach the Brace Tubes to the top brackets and to the formed tabs located on the floor of the Headgate Stand.
2. The Headgate can now be attached to the Headgate Stand.

NOTE: For easier assembly, leave all bolts and nuts loose until after the headgate and crowd alley panels have been installed.



PARTS LISTING

Item	Description	Qty.
A	U-bolt 3/8" x 2.5" x 3.125"	4
B	Washer, Wrought 3/8"	8
C	Washer, Wrought 1/2"	8
D	Nut, Hex - Lock 1/2"	4
E	Screw, Hex 1/2" x 1 1/2"	4
F	Nut, Hex - Lock 3/8"	8

Item	Description	Part No.	Qty.
1	Floor, Headgate Stand	46410052	1
2	Arch, Frame Headgate Stand	46410062	1
***	HARDWARE BOX	46900038	1
3	Bracket, Bottom Left-hand	46601749	1
4	Bracket, Bottom Right-hand	46601759	1
5	Bracket, Top Left-hand	46601769	1
6	Bracket, Top Right-hand	46601779	1
7	Tube, Brace 1-5/8"	46601782	2



CUSTOMER SERVICE CENTER

PO Box 569
Columbus, NE
68602-0569

Ph: 1-800-447-2751
Fax: (402) 563-7447
www.behlencountry.com