

ASSEMBLY INSTRUCTIONS

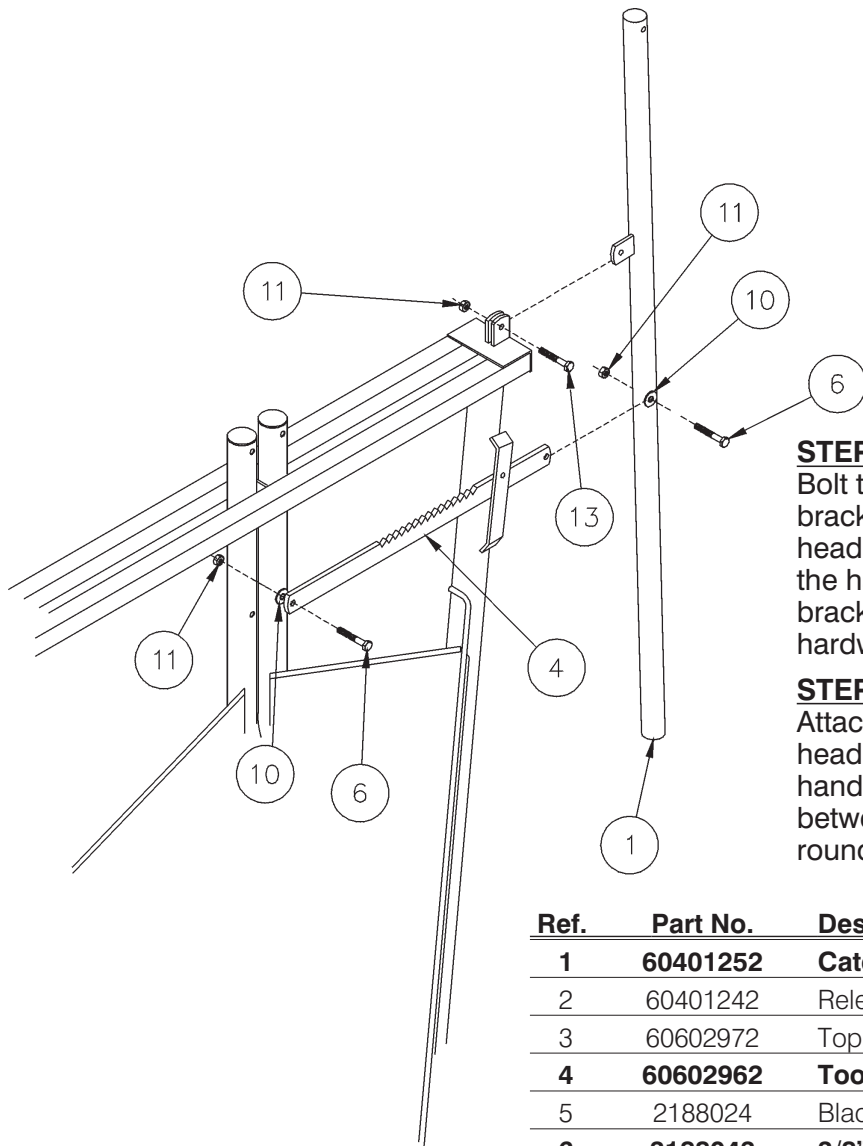


**Hardware Pkg.
60900122**

**M-Series CL-4 Headgate
60122082**

THANK YOU FOR PURCHASING THIS PRODUCT

For questions about this product, or parts inquiries, please contact our Customer Service Center listed below.



STEP 1:

Bolt the Catch Handle ① to the flat brackets located on the top of the headgate. NOTE: The single bracket on the handle fits between the double brackets on top. Use the required bolt hardware as shown.

STEP 2:

Attach the tooth bar latch ④ to the headgate door and then to the catch handle ①. NOTE: The tooth bar latch fits between the welded bracket and the round tube of the frame.

NOTE: Dark lettered lines are the parts that will be used in Steps 1 & 2.

Ref.	Part No.	Description	Qty.
1	60401252	Catch Handle	1
2	60401242	Release Handle Latch	1
3	60602972	Top Linkage	1
4	60602962	Tooth Latch	1
5	2188024	Black Handle Grip	1
6	3188043	3/8" x 2-1/2" Hex Bolt	4
7	3428070	Extension Spring	1
8	60601932	U-Guard Bracket	1
9	3188016	3/8" x 1" Hex Bolt	1
10	3948003	3/8" Wrought Washer	4
11	2688129	3/8" Lock Nut	6
12	3188339	3/8" x 3/4" Bolt W/Lock Patch	1
13	3208060	3/8" x 1-1/2" Hex Bolt	1
14	2928048	1-5/8" Round End Plug	2

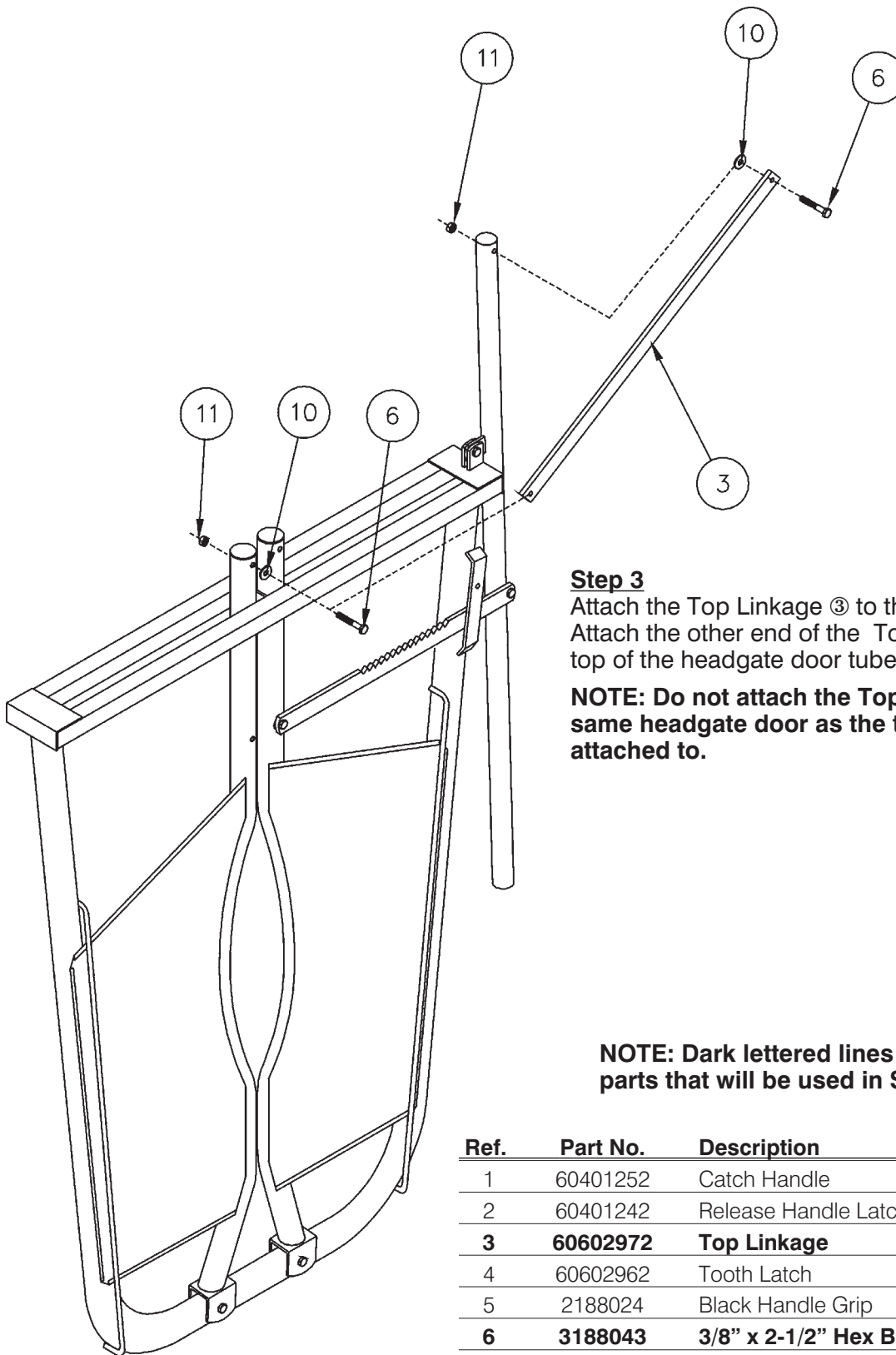
Products for your country lifestyle



CUSTOMER SERVICE CENTER

PO Box 569
Columbus, NE
68602-0569

Ph: 1-800-447-2751
Fax: (402) 563-7447



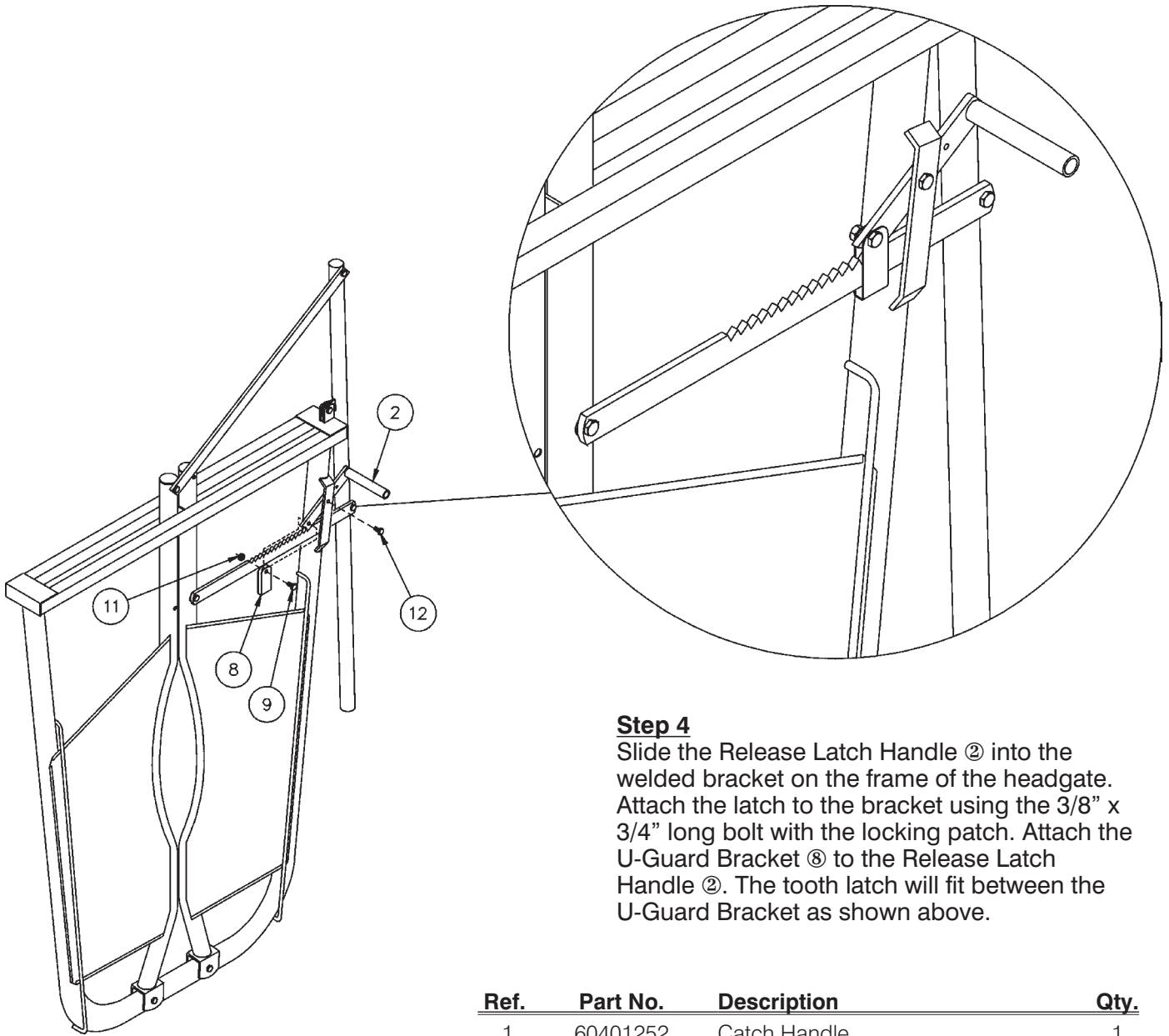
Step 3

Attach the Top Linkage ③ to the Catch Handle ①. Attach the other end of the Top Linkage to the top of the headgate door tube.

NOTE: Do not attach the Top Linkage to the same headgate door as the tooth latch is attached to.

NOTE: Dark lettered lines are the parts that will be used in Step 3.

Ref.	Part No.	Description	Qty.
1	60401252	Catch Handle	1
2	60401242	Release Handle Latch	1
3	60602972	Top Linkage	1
4	60602962	Tooth Latch	1
5	2188024	Black Handle Grip	1
6	3188043	3/8" x 2-1/2" Hex Bolt	4
7	3428070	Extension Spring	1
8	60601932	U-Guard Bracket	1
9	3188016	3/8" x 1" Hex Bolt	1
10	3948003	3/8" Wrought Washer	4
11	2688129	3/8" Lock Nut	6
12	3188339	3/8" x 3/4" Bolt W/Lock Patch	1
13	3208060	3/8" x 1-1/2" Hex Bolt	1
14	2928048	1-5/8" Round End Plug	2

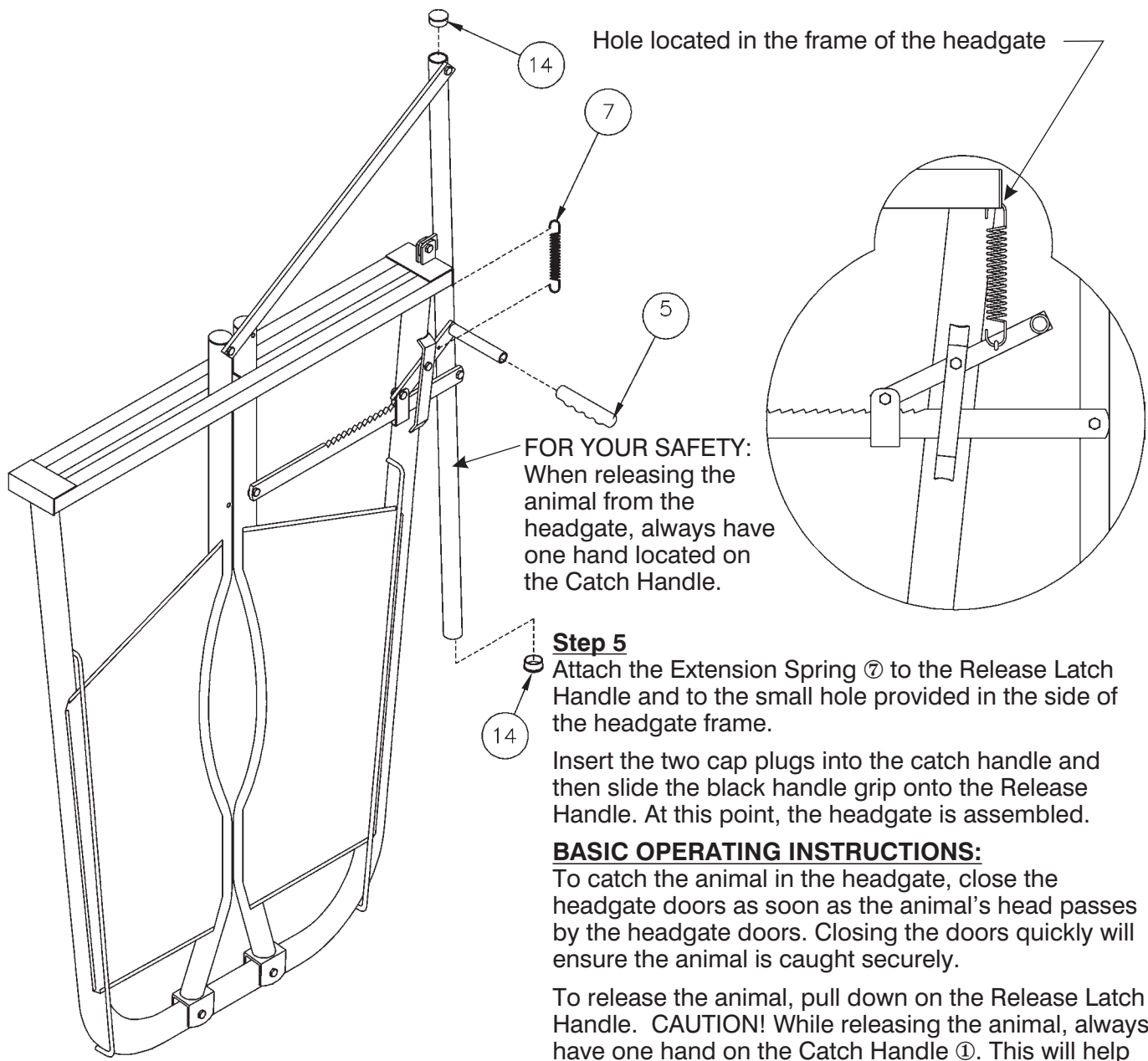


NOTE: Dark lettered lines are the parts that will be used in Step 4.

Step 4

Slide the Release Latch Handle ② into the welded bracket on the frame of the headgate. Attach the latch to the bracket using the 3/8" x 3/4" long bolt with the locking patch. Attach the U-Guard Bracket ⑧ to the Release Latch Handle ②. The tooth latch will fit between the U-Guard Bracket as shown above.

Ref.	Part No.	Description	Qty.
1	60401252	Catch Handle	1
2	60401242	Release Handle Latch	1
3	60602972	Top Linkage	1
4	60602962	Tooth Latch	1
5	2188024	Black Handle Grip	1
6	3188043	3/8" x 2-1/2" Hex Bolt	4
7	3428070	Extension Spring	1
8	60601932	U-Guard Bracket	1
9	3188016	3/8" x 1" Hex Bolt	1
10	3948003	3/8" Wrought Washer	4
11	2688129	3/8" Lock Nut	6
12	3188339	3/8" x 3/4" Bolt W/Lock Patch	1
13	3208060	3/8" x 1-1/2" Hex Bolt	1
14	2928048	1-5/8" Round End Plug	2



NOTE: Dark lettered lines are the parts that will be used in Step 5.

Ref.	Part No.	Description	Qty.
1	60401252	Catch Handle	1
2	60401242	Release Handle Latch	1
3	60602972	Top Linkage	1
4	60602962	Tooth Latch	1
5	2188024	Black Handle Grip	1
6	3188043	3/8" x 2-1/2" Hex Bolt	4
7	3428070	Extension Spring	1
8	60601932	U-Guard	1
9	3188016	3/8" x 1" Hex Bolt	1
10	3948003	3/8" Wrought Washer	4
11	2688129	3/8" Lock Nut	6
12	3188339	3/8" x 3/4" Bolt W/Lock Patch	1
13	3208060	3/8" x 1-1/2" Hex Bolt	1
14	2928048	1-5/8" Round End Plug	2