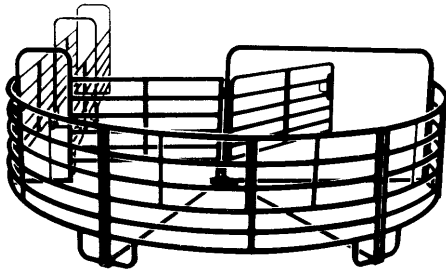


Circular Sweep Pen With Alley - Series 2

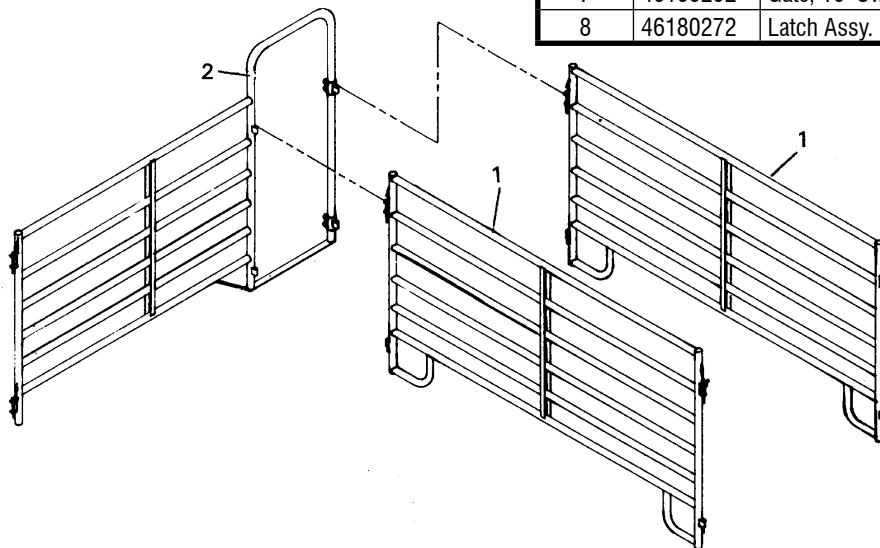
Hardware Kit 46900048

THANK YOU FOR PURCHASING THIS PRODUCT

Behlen Country has been in the business of providing quality products for more than 75 years. Our products will provide many years of service when maintained by the owner and used in accordance with the capabilities of the product. For questions about this product, or for parts inquiries, please contact our Customer Service Center listed below.



MATERIAL LIST			
Ref No.	Part No.	Description	Qty.
1	46160282	10' Straight Crowd Alley Panel	4
2	46180232	10' Panel with Alley Frame (Entrance Panel)	1
3	46180222	Arch for Sweep Gate	1
4	46180212	Brace, 10' Ground Support	2
5	46179572	Panel, Curved 10'	3
6	46112232	Alley Arch (Non-Adjustable)	2
7	46160292	Gate, 10' Sweep Open System	1
8	46180272	Latch Assy. & Hardware	1

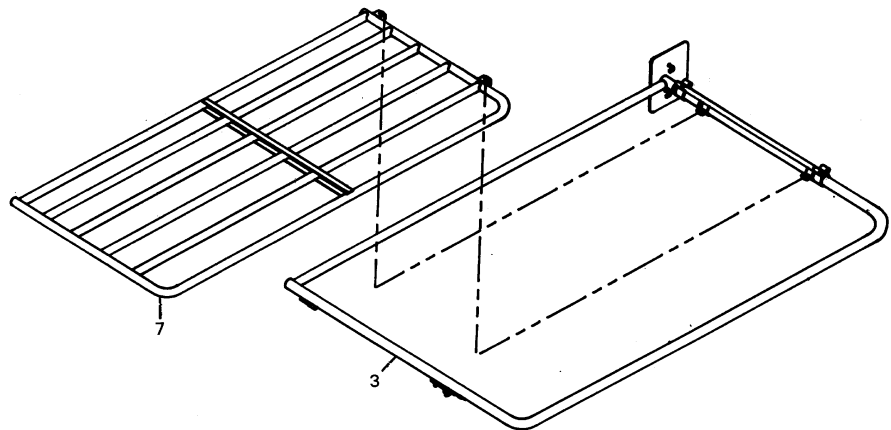


STEP 1

It is important to install the circular sweep system on level ground for best results. Begin your installation by connecting the straight panel (1) to the entrance panel (2).

STEP 2

Next, connect the 10' sweep gate to the main 10' arch. Attach the gate using the 1/2" x 2" hex head bolts and 1/2" lock nuts. The assembly of the gate to the main arch is simplified by laying the main arch on the ground and then attaching the gate.



Behlen[®] COUNTRY

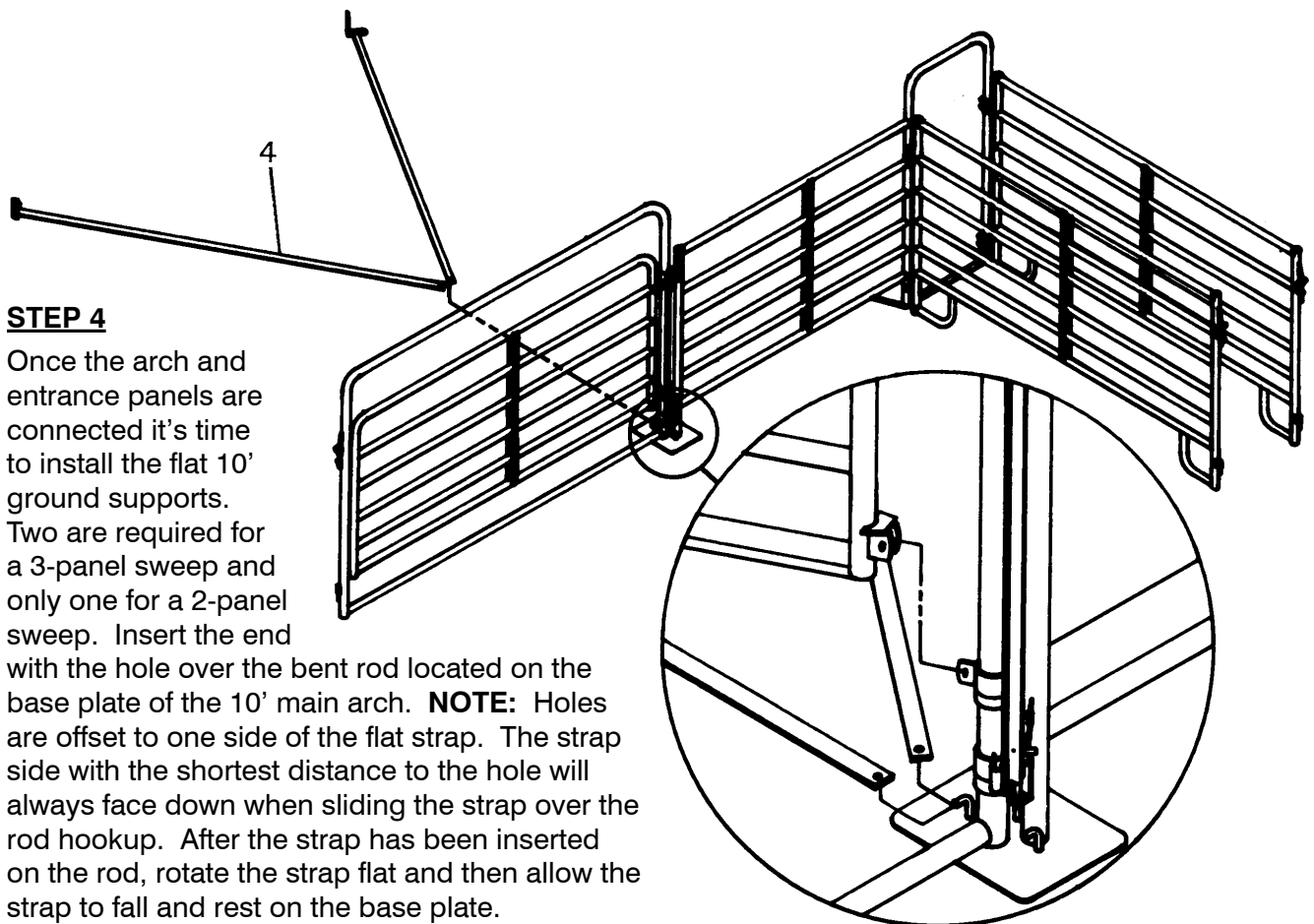
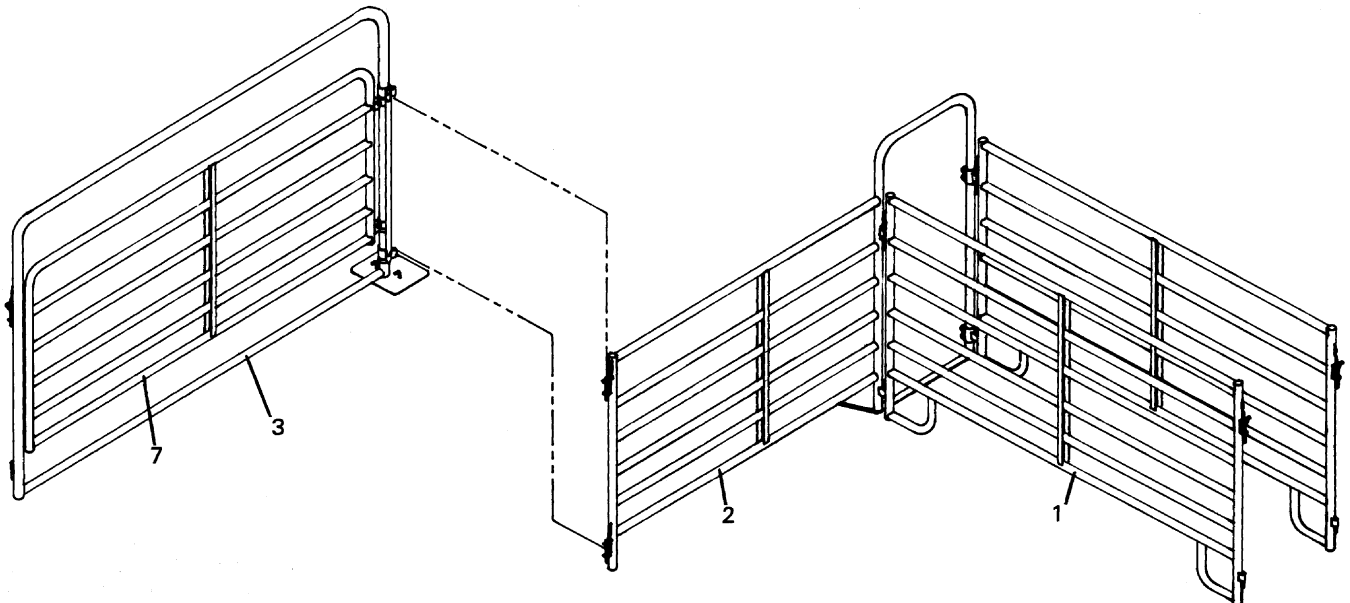
CUSTOMER SERVICE CENTER

PO Box 569
Columbus, NE
68602-0569

Ph: 800-447-2751
Fax: (402) 563-7447
www.behlencountry.com

STEP 3

Next, stand up the 10' main arch. **NOTE:** Wrap a rope or wire around the end of the gate and the main 10' arch. This will prevent the gate from swinging out of control while lifting the 10' main arch. Attach the 10' main arch onto the two c-clamp hook-ups located on the 10' panel with alley arch. **NOTE:** The 10' alley arch panel will sit off the plate of the 10' main arch about a 1/4".

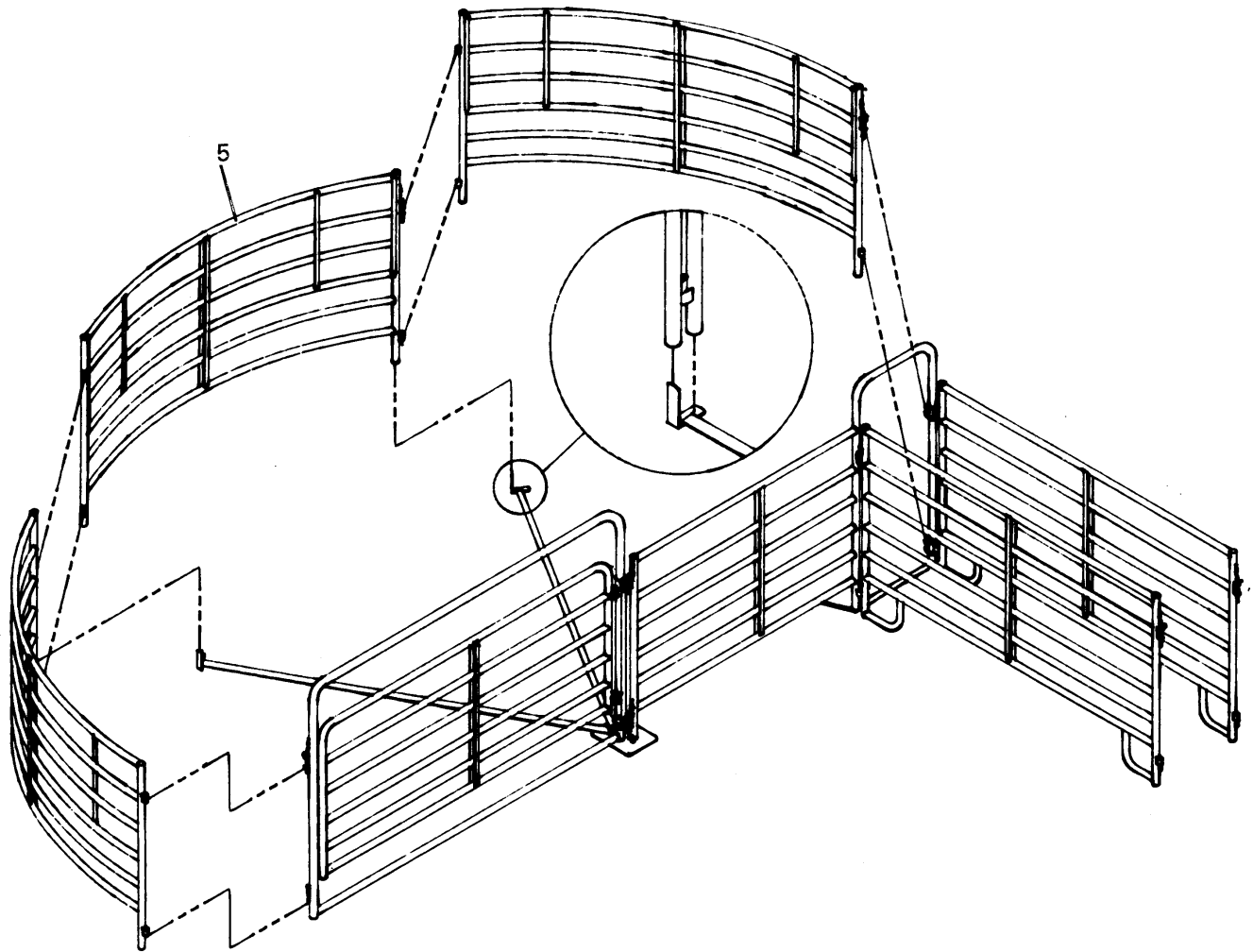


STEP 4

Once the arch and entrance panels are connected it's time to install the flat 10' ground supports. Two are required for a 3-panel sweep and only one for a 2-panel sweep. Insert the end with the hole over the bent rod located on the base plate of the 10' main arch. **NOTE:** Holes are offset to one side of the flat strap. The strap side with the shortest distance to the hole will always face down when sliding the strap over the rod hookup. After the strap has been inserted on the rod, rotate the strap flat and then allow the strap to fall and rest on the base plate.

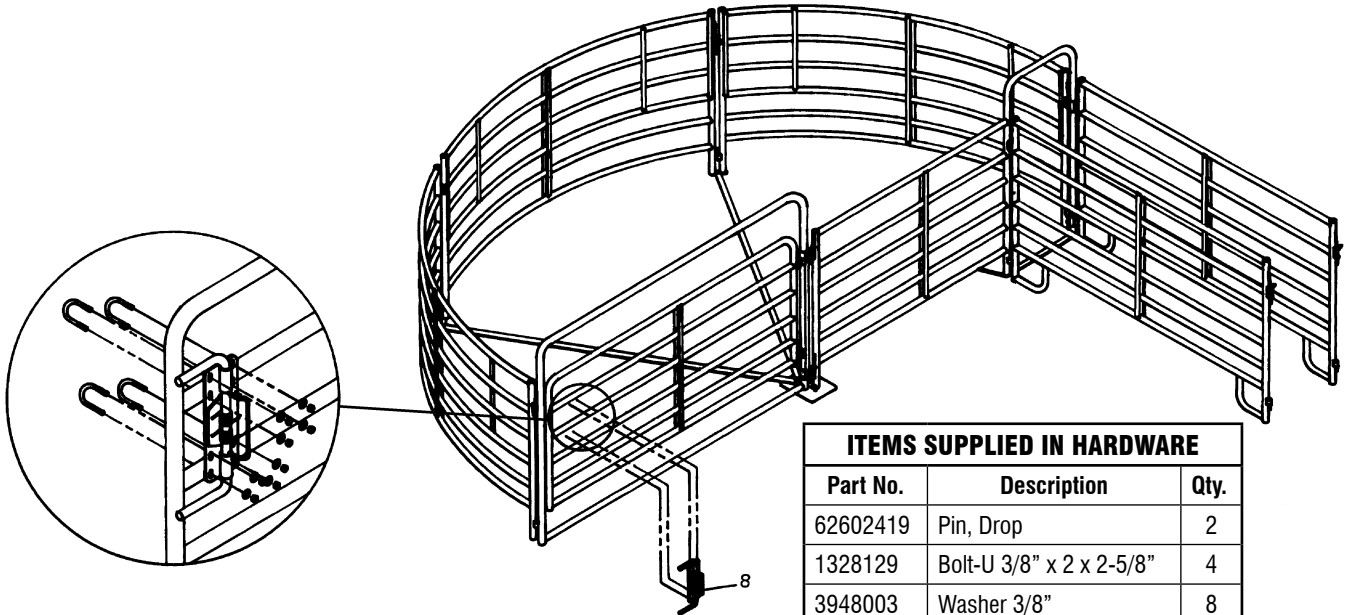
STEP 5

Next, connect the curved panel to the outside hook-up on the 10' main arch. Insert the other side of the curved panel over the ground support stud. Repeat the process for the next two panels. If the system requires two curved panels then only one 10' ground support is needed. When installing a 2-panel sweep, the 10' alley will have to pivot around to connect with the second curved panel.

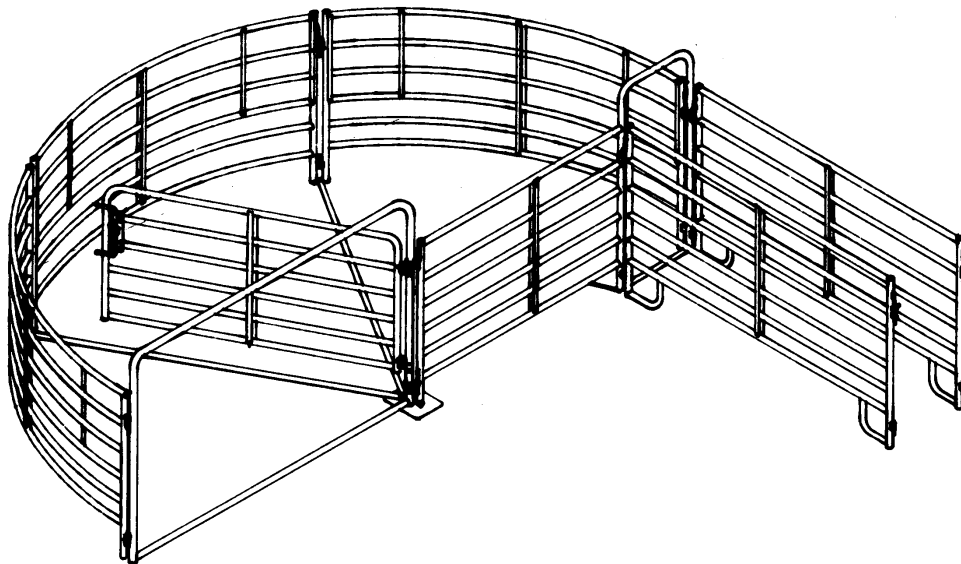


STEP 6

Next, install the sweep gate no-back latch using the 4 u-bolts, 8 nuts, and 8 washers supplied. The sweep gate latch, if installed properly, will have 1½" of rod extending past the flat straps located on the curved panels.



ITEMS SUPPLIED IN HARDWARE		
Part No.	Description	Qty.
62602419	Pin, Drop	2
1328129	Bolt-U 3/8" x 2 x 2-5/8"	4
3948003	Washer 3/8"	8
—	Tech Info Sheet	1
44600069	U-Hook Plated	2
3188032	Screw Hex ½" x 2"	4
3948002	Washer ½"	4
2688128	Nut, Hex ½"- 13w/ Nylint	2
2688008	Nut, Hex 3/8" NC Plated	8



The open system Series-2 tub sweep pen is now assembled. At this time the crowd alley arches can now be installed.