

"V" Trough Grain Feeder

74023337 (4') & 74033327 (8')

Hardware Kit

74900147

THANK YOU FOR PURCHASING THIS PRODUCT

Behlen Country has been in the business of providing quality products for more than 75 years. Our products will provide many years of service when maintained by the owner and used in accordance with the capabilities of the product. For questions about this product, or for parts inquiries, please contact our Customer Service Center listed below.

Assembly Instructions for "V" Trough Grain Feeders

The 4' and 8' "V" Trough Feeder is broken down into four main components and requires assembly. They are as follows:

- (1) Top Brace Tube
- (1) "V" Trough
- (2) "A" Frame

A hardware package is also included. These four components bolt together as shown at left.

Step #1 Install one end of the Top Tube into the top of the "A" Frame. This will be a snug fit.

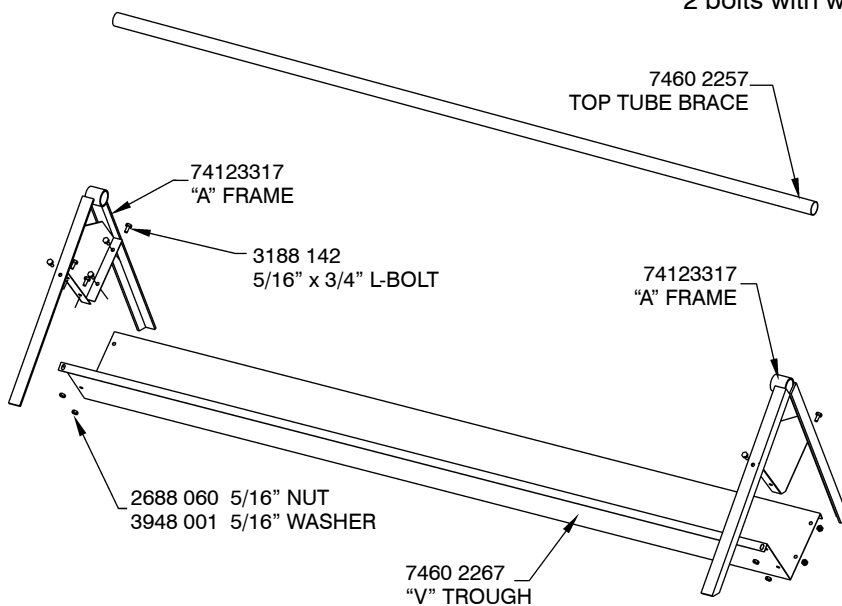
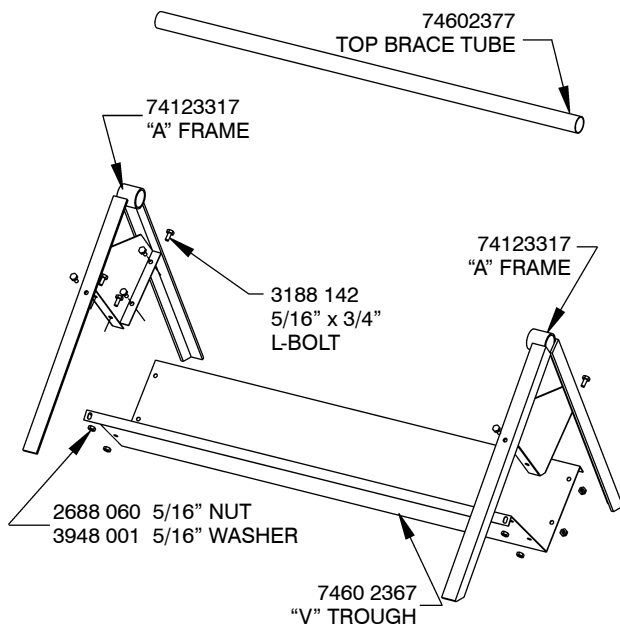
Step #2 Install the other "A" Frame at the opposite end of the top tube. You should now have a freestanding framework.

Step #3 Attach the "V" Trough to the bottom of the "A" Frame using 5/16" x 3/4" bolts. You may find it helpful to place a box or something similar under the "V" Trough while aligning and installing the bolts. Install 2 bolts with washers at one end of the assembly and loosely attach a nut with washer on each.

Step #4 Move to the other end and install all 6 bolts with washers. You may find it necessary to snug up the two bolts that go through the angle iron legs to better align the other holes. After all 6 bolts are in place, attach the remaining nuts with washers and ensure all 6 nuts are properly tightened.

Step #5 Move back to the other end and complete installing the bolts in the remaining holes. Attach the remaining nuts and washers as needed. Ensure all 6 nuts are properly tightened.

Your "V" Trough assembly is now ready for use.



Behlen[®] COUNTRY

CUSTOMER SERVICE CENTER

PO Box 569
Columbus, NE
68602-0569

Ph: 800-447-2751
Fax: (402) 563-7447
www.behlencountry.com