

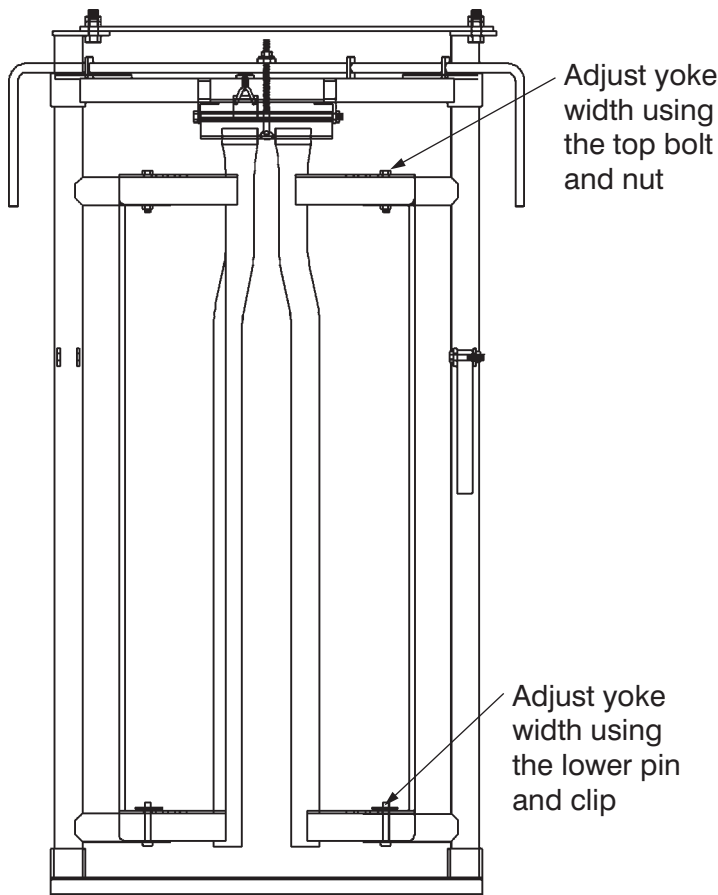
**Self-Catch CL-5 Headgate
60110202**



**Hardware Pkg.
60900178**

THANK YOU FOR PURCHASING THIS PRODUCT

For questions about this product, or for parts inquiries, please contact our Customer Service Center listed below.



How to adjust the headgate yokes

After determining what size animals are going to be worked, set the yoke width to about the same width as the animals' neck size. Initial adjustments are made by removing the top bolts and nuts and lower pins and clips and setting the yoke tubes to the desired width (settings 1-3).

Neck width settings are:

Narrowest - Setting 1 = 4-1/8"

Setting 2 = 7-1/8"

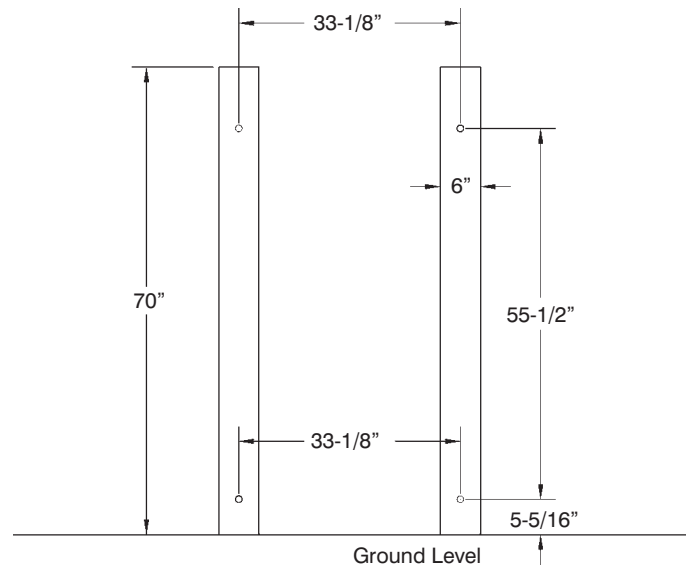
Widest Setting 3 = 10-1/8"

Mounting the headgate to wooden posts

First, install 6" dia. wood posts at 33-1/8" center to center as shown. Set post in ground to a depth that is adequate for your soil conditions. Posts should be no more than 70" out of the ground.

Next, lean the headgate up against the post and mark out the hole spacing, or use the diagram as shown.

Then, drill four 5/8" dia. holes through the post. Bolt the headgate to the post. Bolting hardware is customer supplied. We recommend 1/2" dia. x 8" long bolts. Use 1/2" washers to prevent the head of the bolt from digging into the post.



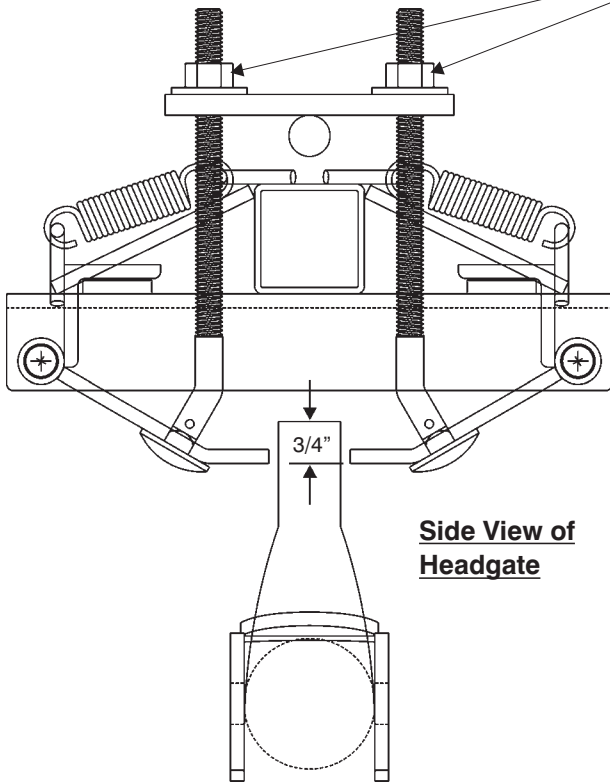
CUSTOMER SERVICE CENTER

PO Box 569
Columbus, NE
68602-0569

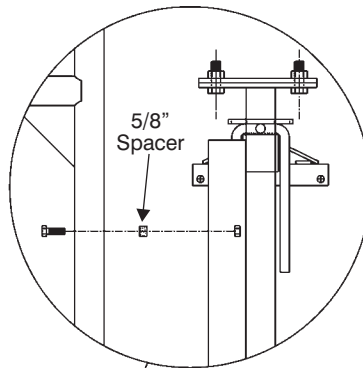
Ph: 1-800-447-2751
Fax: (402) 563-7447
www.behlencountry.com

How to adjust the Latch Plate height

If the latch plates are not adjusted far enough down, loosen the nuts so that the plates drop down. Ideal setting is $\frac{3}{4}$ " from the top of the door tubes to the bottom of the latch plates (see diagram at left).



**Side View of
Headgate**



How to mount the headgate to a Big Valley Squeeze Chute.

To mount this headgate to a Big Valley Squeeze Chute, $\frac{5}{8}$ " long spacers must be used between the headgate and the squeeze chute. This will prevent the tie bar on top of the headgate from hitting the frame of the squeeze chute. It works best to attach the top holes first and then the bottom holes.

