

Drain Replacement / Bulkhead Fitting Kit 50130405

For questions about this product, or for parts inquiries, please contact our
Customer Service Center listed below.

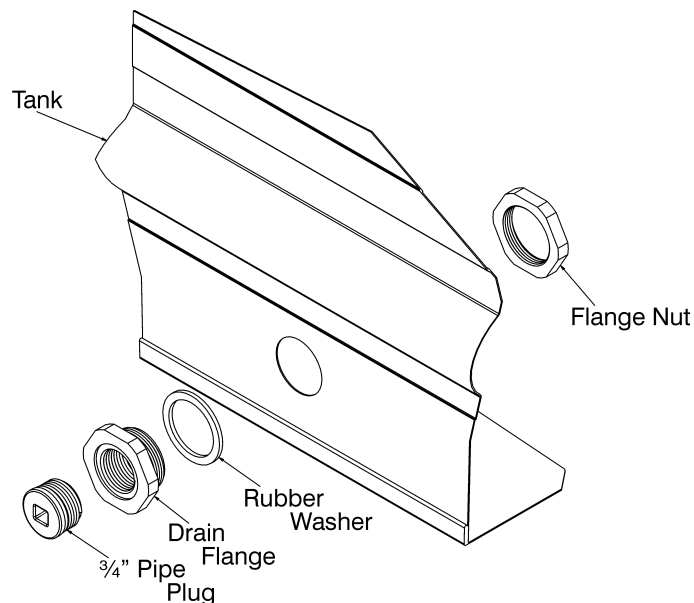
INSTRUCTIONS TO REPLACE OR ADD A BULKHEAD FITTING

This kit is a replacement part for Behlen steel stock tanks that were equipped with the plastic bulkhead fitting type of drain. It can also be used to add a drain or pipe connection to a steel or poly tank with a sidewall thickness of 3/16" or less.

1. To replace the plastic drain on a Behlen steel tank equipped with this type of fitting, simply unscrew the flange nut and remove the drain flange and rubber washer.
2. Clean the area around the hole on both sides of the tank wall.
3. Break the flange nut loose from the drain flange.
4. Install the fitting as shown through the hole in the tank wall. Make sure that the rubber washer is seated all the way down on the drain flange.
5. Tighten the bulkhead fitting by rotating flange nut only. Do not rotate the drain flange because that may cause the rubber washer to wrinkle and break the seal.

If you wish to add this fitting to a tank, please do the following:

1. Locate where you wish to put the fitting on the tank. The area must be flat so that the rubber washer can make a seal.
2. Drill a 1-5/16" diameter hole where the fitting is to go. Note: Most drills or hole saws cut oversize, so test drill a hole in similar material to see what size hole you actually get. You may need to use a 1 1/4" drill and enlarge the hole to 1-5/16" using a file or hand grinder.
3. Make sure the area around the hole is clean and free of burrs.
4. Follow steps 4 and 5 listed under replacing a fitting to finish adding a new drain outlet to your tank.



Behlen[®]
COUNTRY

CUSTOMER SERVICE CENTER

PO Box 569
Columbus, NE
68602-0569

Ph: 800-447-2751
Fax: (402) 563-7447
www.behlencountry.com