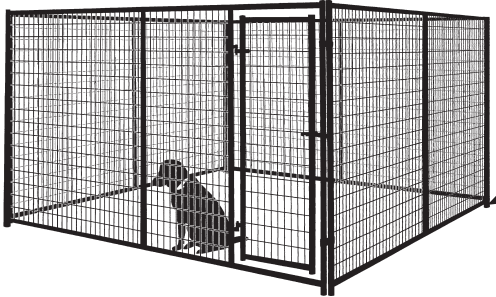


# Magnum Hot-dipped Galvanized Dog Kennel

## Hardware Kit 38900059

### THANK YOU FOR PURCHASING THIS PRODUCT

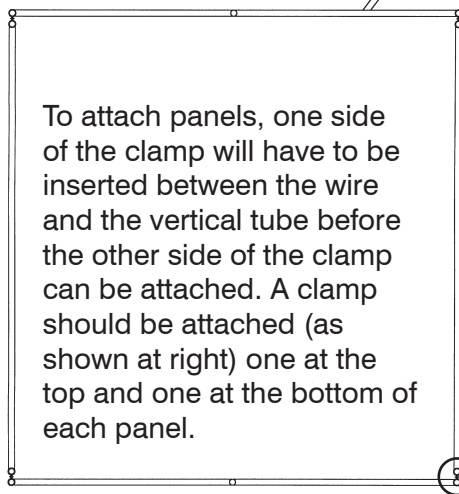
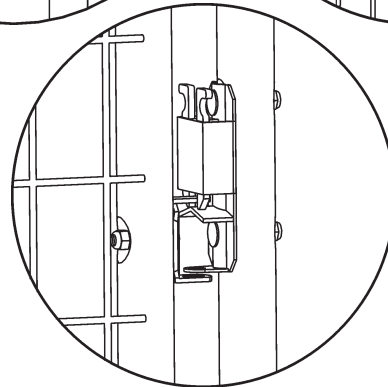
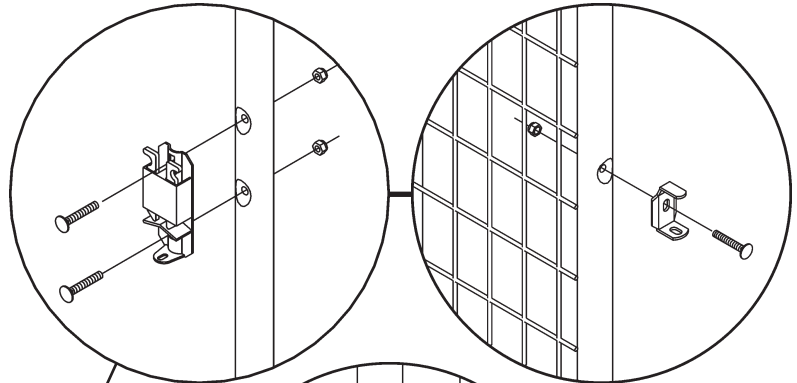
Behlen Country has been in the business of providing quality products for more than 80 years. Our products will provide many years of service when maintained by the owner and used in accordance with the capabilities of the product. For questions about this product, or for parts inquiries, please contact our Customer Service Center listed below.



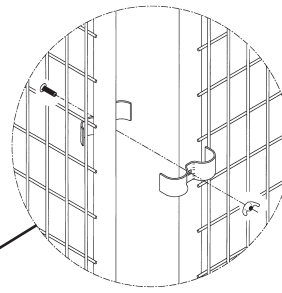
**NOTE:** Bottom of kennel has 1½" clearance to ground.

### Typical Dog Kennel Setup

The dog kennel latch system has two main components, the Latch #2208063 and the Catch Plate #38600729. The latch will attach to the outer tube in the doorway of the front panel, this tube has two holes in it. Loosely attach with two carriage bolts and lock nuts. The Catch Plate is attached to the door using the one hole in it. Loosely attach this with one carriage bolt and lock nut. Close the door and adjust both latch components for smooth latching. If door doesn't want to latch smoothly when closing, lubricate the handles with a couple of drops of oil. Tighten all bolts on the latch assembly. (See illustrations)



To attach panels, one side of the clamp will have to be inserted between the wire and the vertical tube before the other side of the clamp can be attached. A clamp should be attached (as shown at right) one at the top and one at the bottom of each panel.



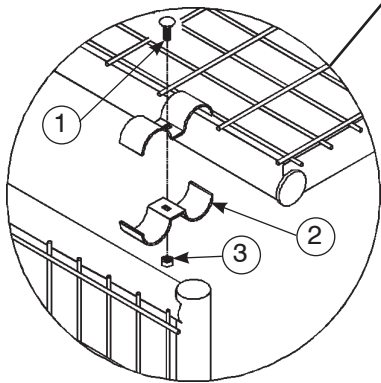
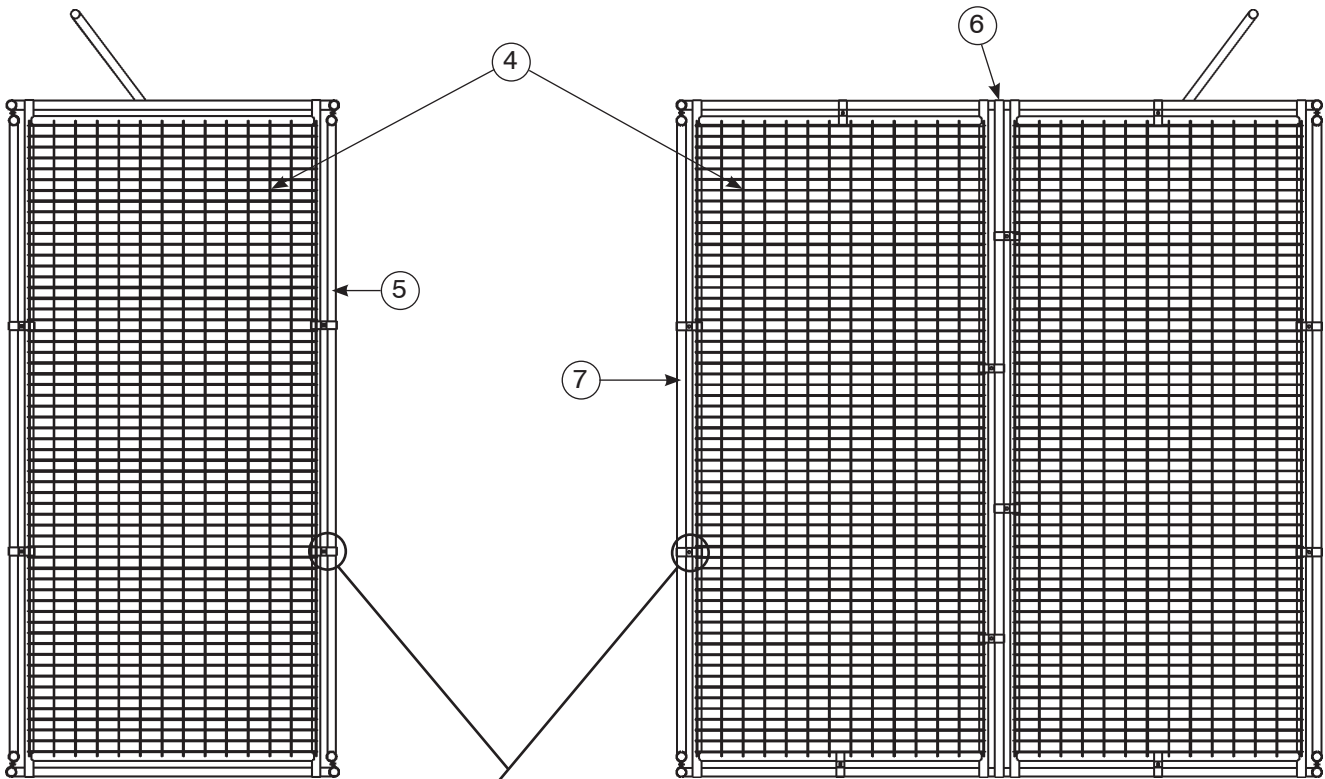
# Behlen<sup>®</sup> COUNTRY

## CUSTOMER SERVICE CENTER

PO Box 569  
Columbus, NE  
68602-0569

Ph: 800-447-2751  
Fax: (402) 563-7447  
[www.behlencountry.com](http://www.behlencountry.com)

Optional Powder Coat Wire Mesh Top for 5' x 10' Dog Kennel 38140017  
 Optional Powder Coat Wire Mesh Top for 10' x 10' Dog Kennel 38140027  
 Optional Hot-dipped Galv. Wire Mesh Top for 5' x 10' Dog Kennel 38140019  
 Optional Hot-dipped Galv. Wire Mesh Top for 10' x 10' Dog Kennel 38140029



- For proper setup, have the wire facing the outside of the kennel. For tops to fit properly, dog kennels must be set up as shown.
- Each top panel will have to be attached by using the butterfly clamps supplied.
- To attach the clamp, one side of the clamp will have to be inserted between the wire and the vertical tube before the other side of the clamp can be attached. A clamp should be attached at each location shown in the diagram.

### PARTS LISTING

ITEM	DESCRIPTION	PAINTED	PLATED	GALV.	10x10 QTY	5x10 QTY
1	Bolt, Carriage 3/8" x 1" ZP		1328327		12	4
2	1-5/8" Butterfly Connector	38600407	38600409		24	8
3	High Wing Nut 3/8"		2688306		12	4
4	Wire Mesh Top	38400197		38400199	2	1
5	10 x 10 Dog Kennel	--			1	--
6	Kennel Top Center Brace	38600397		38600399	1	--
7	5 x 10 Dog Kennel	--			--	1

**NOTE: Wire Mesh Tops are an optional accessory and come in gray powder coat or hot-dipped galvanized.**