

Horse Shelter 12' x 15'

76110678

Hardware Kit
76900228

THANK YOU FOR PURCHASING THIS PRODUCT

Behlen Country has been in the business of providing quality products for more than 80 years. Our products will provide many years of service when maintained by the owner and used in accordance with the capabilities of the product. For questions about this product, or for parts inquiries, please contact our Customer Service Center listed below.



Check with local government authorities to determine if a building permit is required.

Sheeting used must conform to these or greater specifications as listed below:

Design Criteria

- Snow – 40 psf ground snow
- Wind – 90 MPH exposure C
- Loads calculated in accordance with the Uniform Building Code 94 Edition.

This shelter requires adequate anchoring to safely resist the design wind forces and to avoid injury to animals and others. **Behlen Mfg. Co. strongly recommends that you consult a qualified professional engineer to design the anchor for your specific application.**

Components for the Modular Shelter System as provided by Behlen Country, have been designed

for ground snow loads of up to 40 psf and winds up to 90 mph (Exposure "C"). The ability of these shelters to safely resist these conditions is dependant upon several factors beyond the manufacturer's control such as the uniformity of the soil bearing support and the adequacy of wind uplift anchorage.

These Modular Shelter Systems are not intended to serve as permanent building structures and should not be used as such. **(For these reasons, an engineering certification is not offered by Behlen Mfg. Co.)** Customers are responsible for verifying ground snow load and wind load requirements in the area in which the Modular Shelter Systems will be constructed.

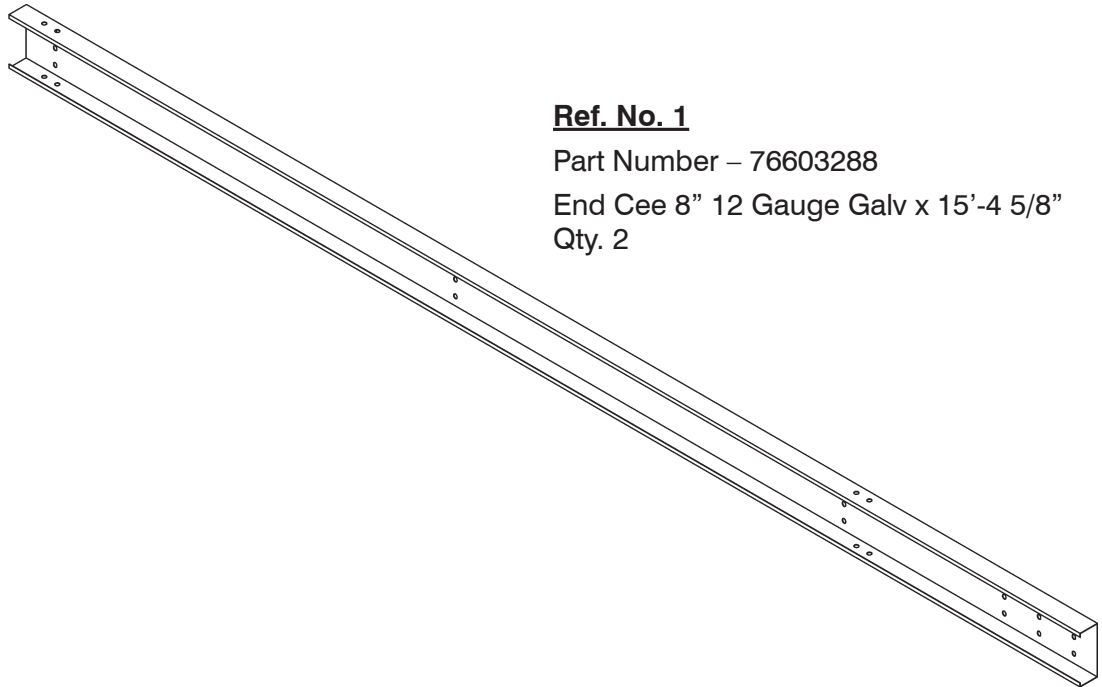
Behlen[®]
COUNTRY

CUSTOMER SERVICE CENTER

PO Box 569
Columbus, NE
68602-0569

Ph: 800-447-2751
Fax: (402) 563-7447
www.behlencountry.com

Component List for 12' x 15' Horse Shelter

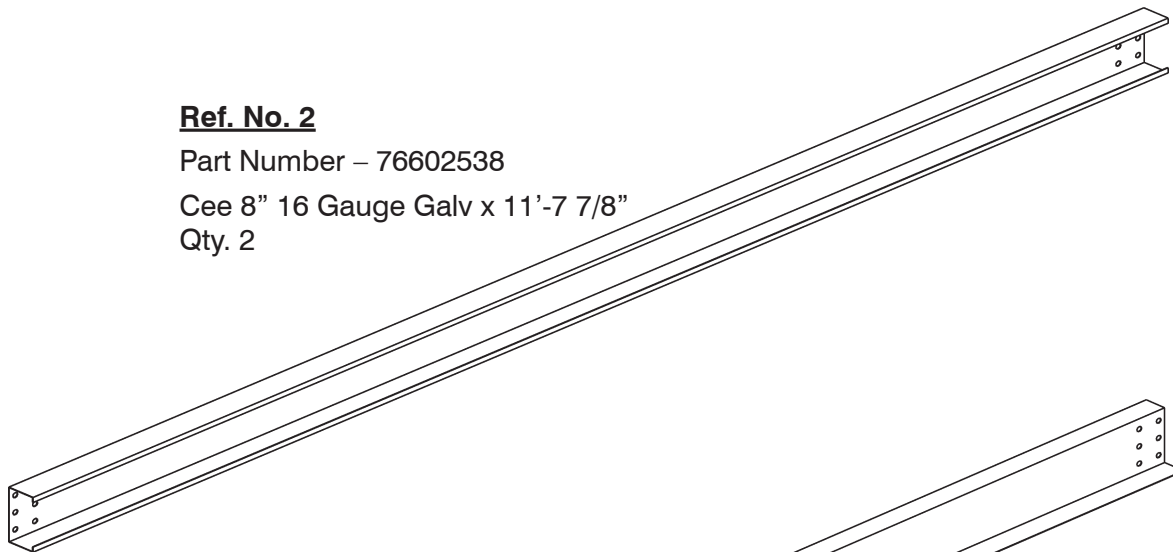


Ref. No. 1

Part Number – 76603288

End Cee 8" 12 Gauge Galv x 15'-4 5/8"

Qty. 2

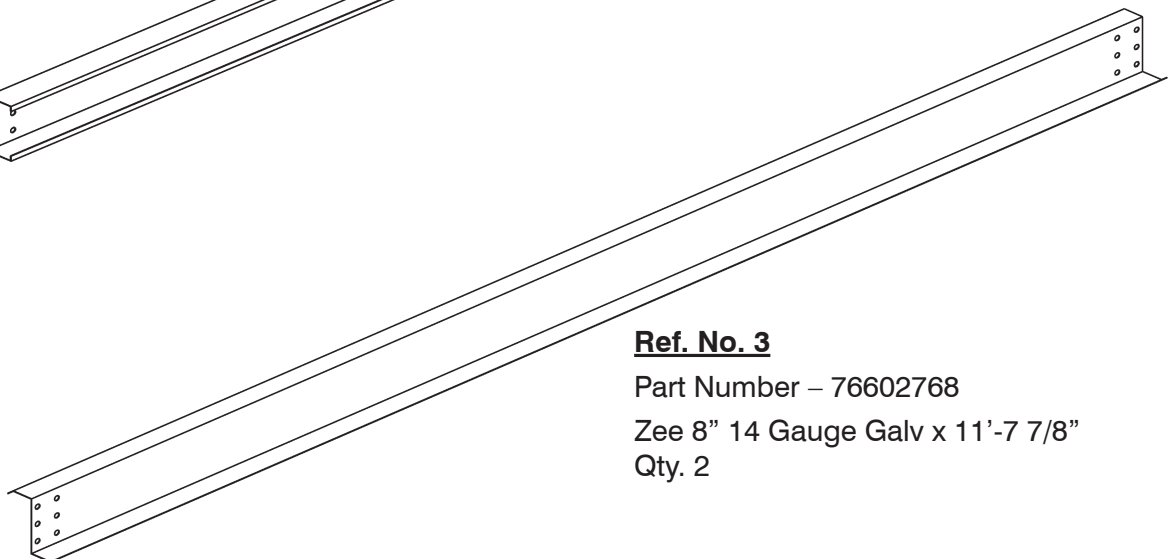


Ref. No. 2

Part Number – 76602538

Cee 8" 16 Gauge Galv x 11'-7 7/8"

Qty. 2



Ref. No. 3

Part Number – 76602768

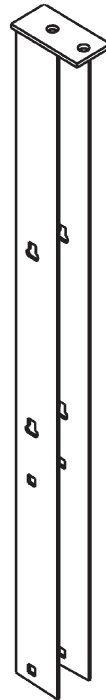
Zee 8" 14 Gauge Galv x 11'-7 7/8"

Qty. 2



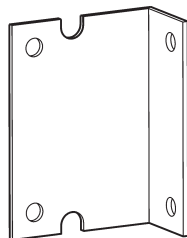
Ref. No. 4

Part Number –
76400349
Short Shelter Post –
Hot-dipped Galvanized



Ref. No. 5

Part Number –
76400359
Tall Shelter Post
– Hot-dipped
Galvanized

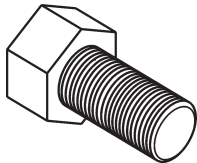


Ref. No. 6

Part Number – 76602558
Side Channel “L” Clip – Galv.
Qty. 8

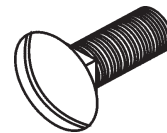
Ref. No 7

Part Number – 76900228
Hardware Package for Horse Shelter



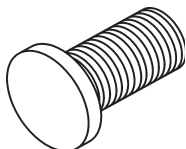
Ref. No 7a

Hex Head Cap Bolt
1/2” x 1” Plated
Qty. 24



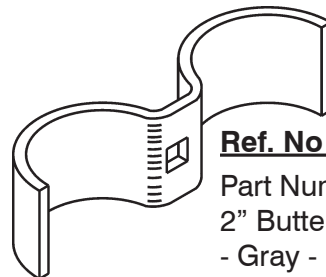
Ref. No 7e

Carriage Bolt
3/8” x 1” Plated
Qty. 8



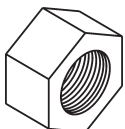
Ref. No 7b

Flat Round Head Bolt –
1/2” x 1” Plated - Qty. 16



Ref. No 7f

Part Number – 76602507
2” Butterfly Connector Half
- Gray - Qty. 8 pair



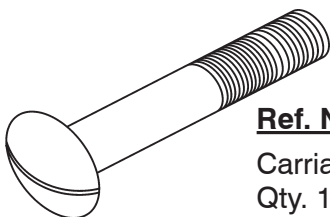
Ref. No 7c

Nut 1/2” Hex Grade A Plated
Qty. 52



Ref. No 7g

Nut 3/8” – Flanged
Whiz Lock – Plated
Qty. 8



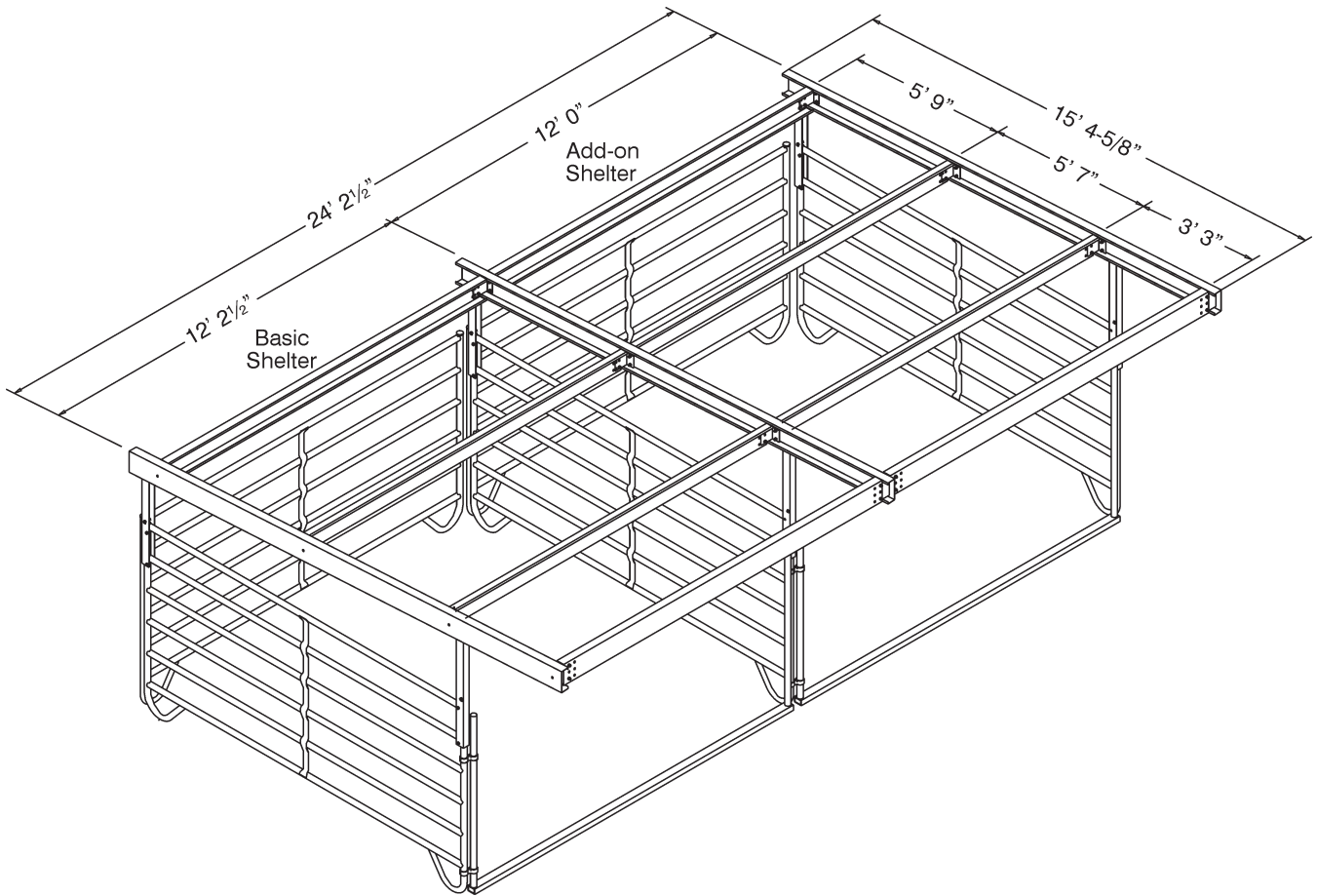
Ref. No 7d

Carriage Bolt 1/2” x 3” Plated
Qty. 12

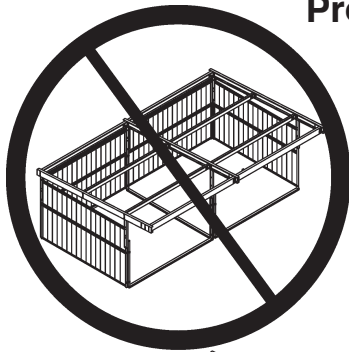
Ref. No 7h

Part Number – 76602837 (8 pair)
Rubber Strip (Not Illustrated)
Qty. 2

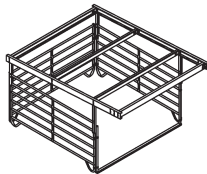
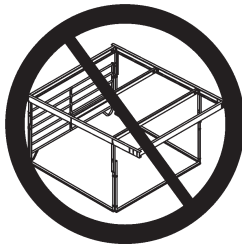
Roof Dimensions



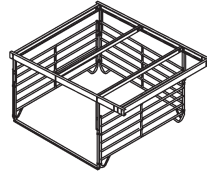
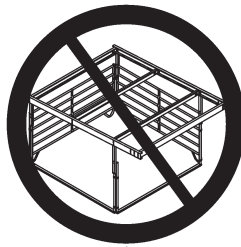
Proper Use of 12' Open Support Brace #76110697 & 76110699



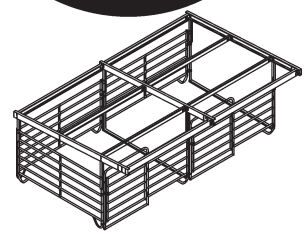
**CORRECT
USAGE**



**CORRECT
USAGE**



**CORRECT
USAGE**



**CORRECT
USAGE**

NOTE: If you are planning on erecting an add-on section onto the shelter, read through both the instructions. This will eliminate rework.

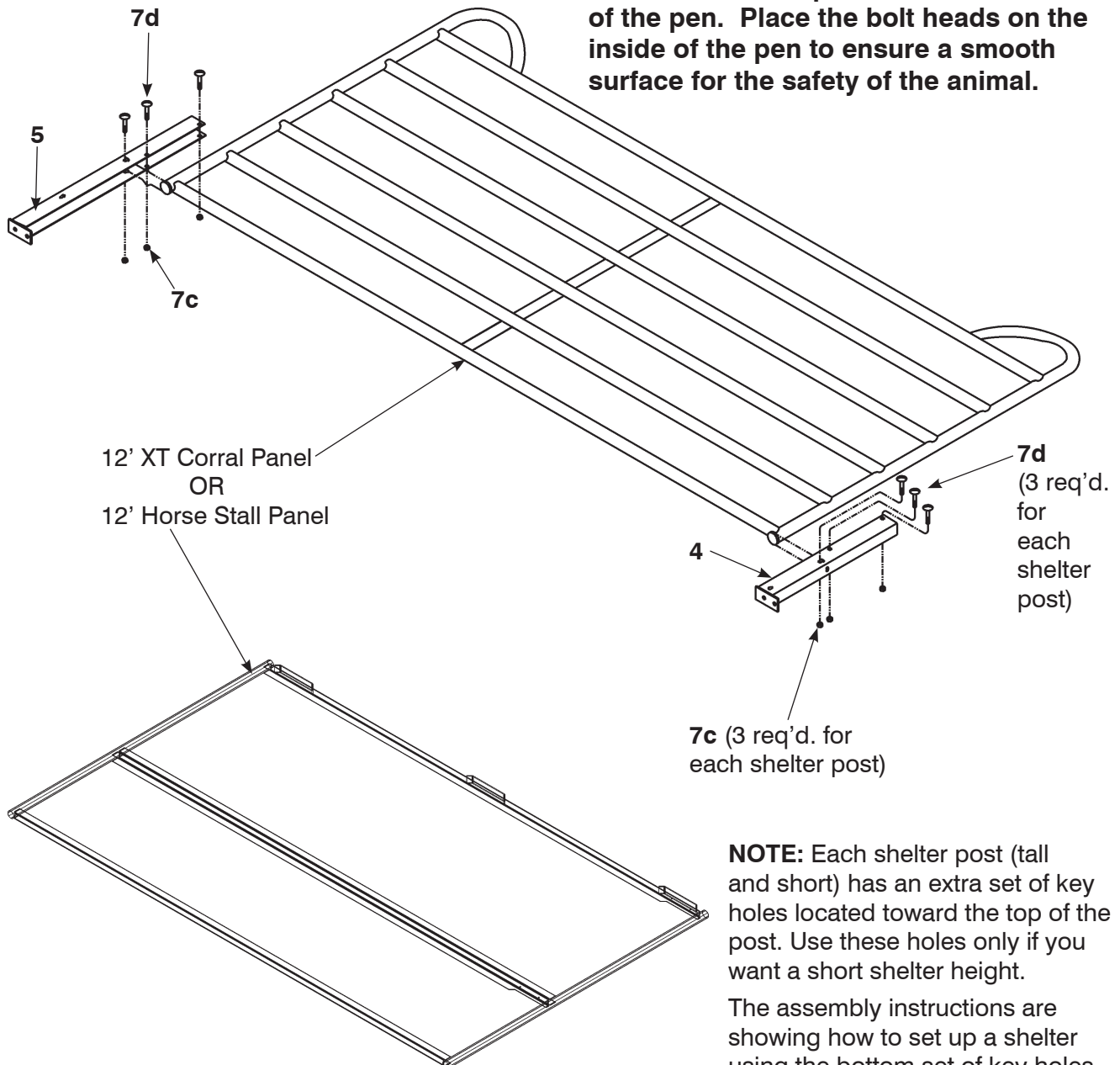
If sheeting will be installed, do not install it until all sections of the shelter are erected.

Step 1

- 1a For assembling ease, lay the panel down. Slide the tall shelter post (5) and the short shelter post (4) onto the vertical 2" tube. If assembling the shelter on a 12' XT Corral Panel, be sure the cap rests in the three slots provided on the shelter posts.
- 1b Fasten each shelter post (4 & 5) with three-1/2" x 3" plated carriage bolts (7d) and three-1/2" nuts (7c).

NOTE:

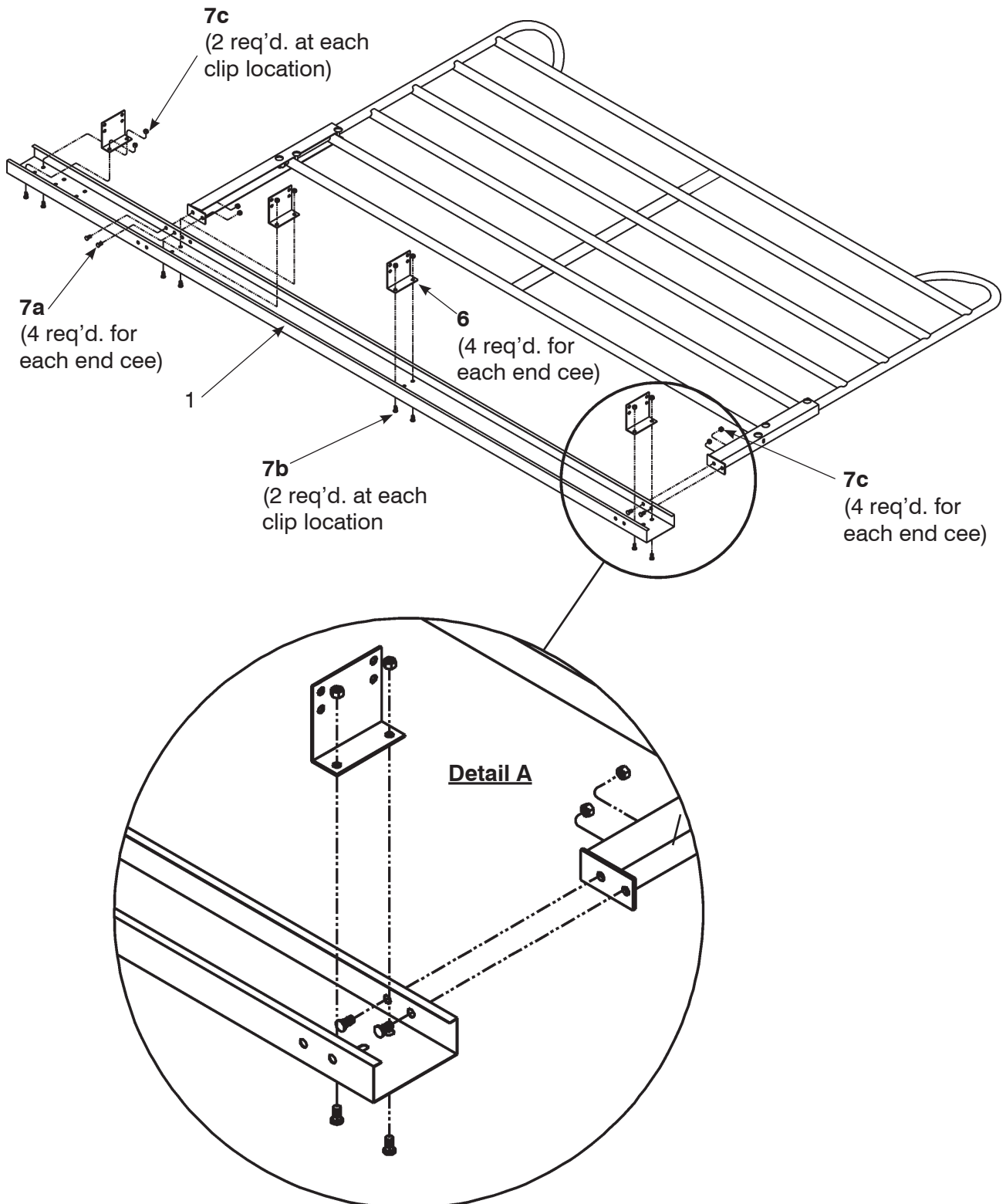
When fastening, keep in mind, which side of the corral panel will be the inside of the pen. Place the bolt heads on the inside of the pen to ensure a smooth surface for the safety of the animal.



NOTE: Each shelter post (tall and short) has an extra set of key holes located toward the top of the post. Use these holes only if you want a short shelter height. The assembly instructions are showing how to set up a shelter using the bottom set of key holes for the tall shelter height option.

Step 2

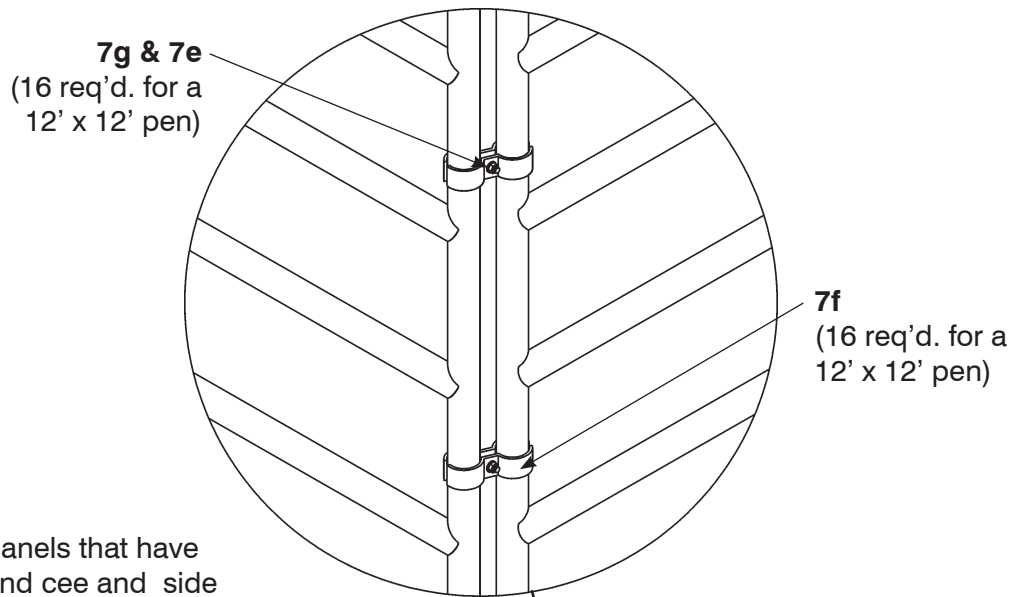
- 2a With the corral panel still lying down, assemble the end cee (1) to the shelter posts using four $\frac{1}{2}$ " x 1" hex head bolts (7a) and two $\frac{1}{2}$ " nuts (7c). Use the holes indicated on the illustration. When assembling end cee onto a horse stall, use the holes as indicated in Detail A.
- 2b Assemble the side channel clips (6) to the end cee using two $\frac{1}{2}$ " x 1" flat round head bolts (7b) and two $\frac{1}{2}$ " nuts (7c). Be sure to keep the bolt heads to the outside of the cee as shown. Position the clips in the direction as shown.



Step 3

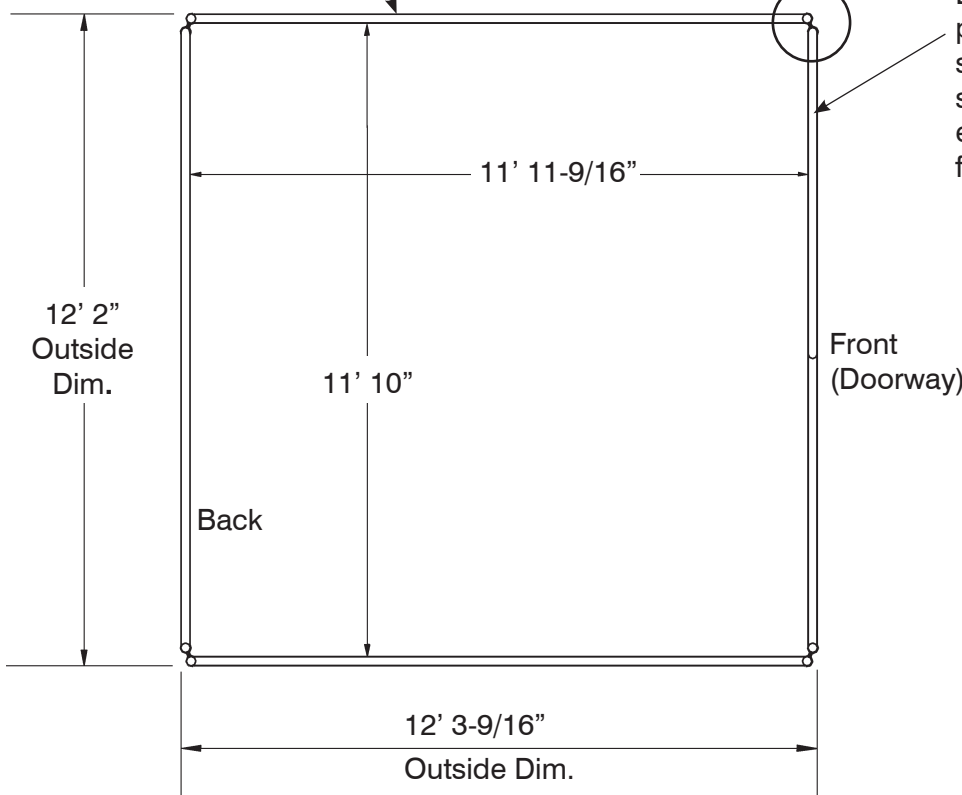
3a At this point, the structure can now be set in place. Two people are needed for this process for safety purposes. Place four 2" butterfly connector halves (7f) at each corner of the pen. Fasten the butterflies with one 3/8" x 1" carriage bolt (7e) and one 3/8" flanged whiz nut (7g). Make sure the bolt head is on the inside of the pen for a smooth edge near the animal. Do not fully tighten the butterflies. This will allow for adjustment of the pen. When attaching the butterflies, place one directly below the shelter post and one near the bottom of the panel.

3b Measure the pen to match the measurements provided in the illustration. After measuring and moving panels as necessary, tighten the butterflies in place.



The sides are the panels that have the shelter posts, end cee and side channel clips attached to it.

Be sure that the front panel is located on the side that contains the tall shelter posts. This will ensure enough clearance for you and the animal.



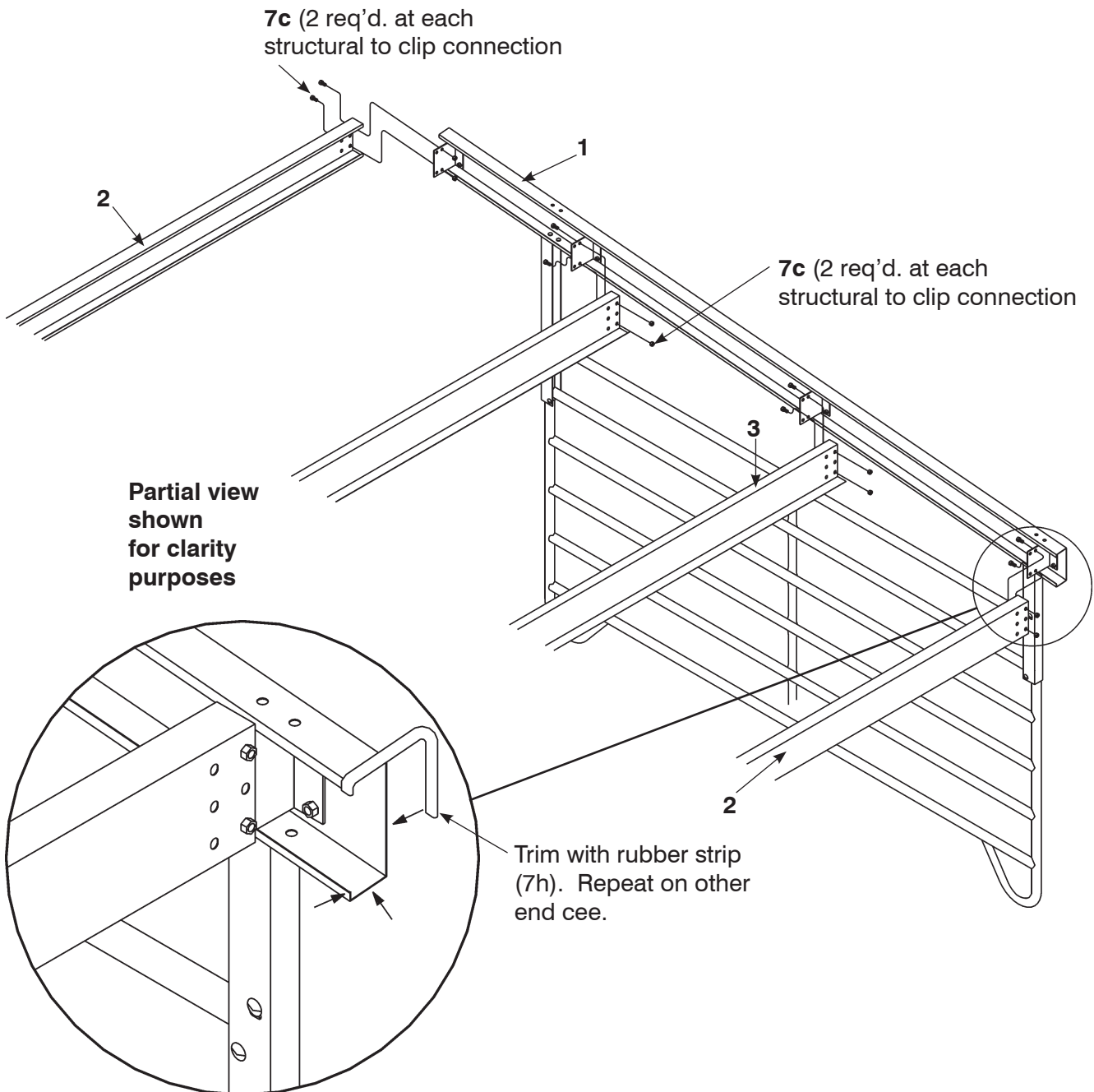
Step 4

Once the pen is set in place, it is now time to assemble the interior cees and zee. Two people are needed for this process for safety purposes.

4a To begin, start on the low side. Lift the 8-inch cee (2) up to the bottom clips and rest on the side channel clips. Be sure that the 8-inch cee (2) is positioned as shown on the illustration. The open face of the 8-inch cees has to face into the pen. Fasten at each end with two-1/2" x 1" hex head bolts (7a) and two-1/2" nuts (7c).

4b Follow the same instructions for the 8-inch zee (3) and the high side 8-inch cee (2). Make note of the position to ensure proper assembly.

4c Insert the rubber strip (7h) around the entire end of the end cee on the low side. See Detail B. Cut any excess rubber strip off. Repeat this process for the other side. This will take away any sharp edge that could endanger your animal.



Anchoring the Assembled Horse Shelter

The assembled horse shelter **will** require anchoring. When anchoring into concrete, all materials will be supplied by the buyer and can be bought at any local hardware store. The shelter **must** be anchored at every corner. With a 90-MPH wind, an uplift force of 2,200 pounds per corner can be created.

Typical detail of installation in a concrete situation.

