

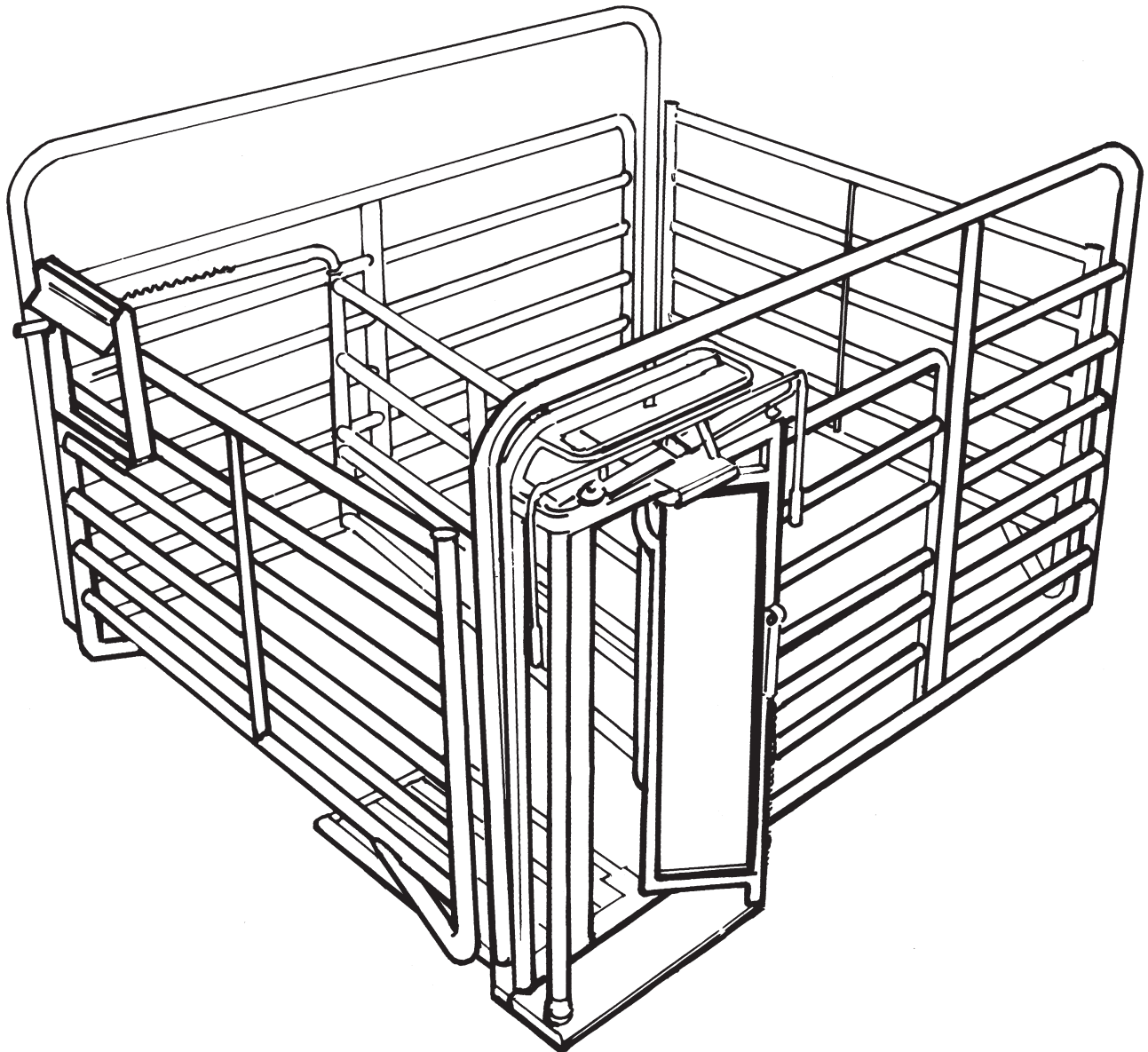
PORTABLE CARE CENTER

**Hardware Kit
62900228**

10' x 8' W/Headgate 62074482 & WO/ Headgate
62074492

THANK YOU FOR PURCHASING THIS PRODUCT

Behlen Country has been in the business of providing quality products for more than 75 years. Our products will provide many years of service when maintained by the owner and used in accordance with the capabilities of the product. For questions about this product, or for parts inquiries, please contact our Customer Service Center listed below.



**Behlen[®]
COUNTRY**

CUSTOMER SERVICE CENTER

PO Box 569
Columbus, NE
68602-0569

Ph: 800-447-2751
Fax: (402) 563-7447
www.behlencountry.com

ASSEMBLY INSTRUCTIONS FOR PORTABLE CARE CENTER

Instructions for Latch Bracket & Plate

NOTE: You can install the latch bracket holder onto the corral panel first and then assemble the latch plate to the latch bracket holder. The illustration is shown with the plate being installed before the whole bracket assembly is mounted to the corral panel. (Refer to Illustration A, B, & C).

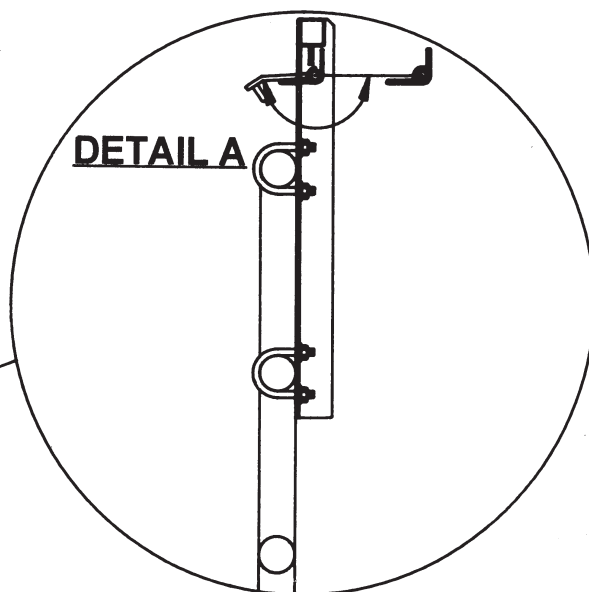
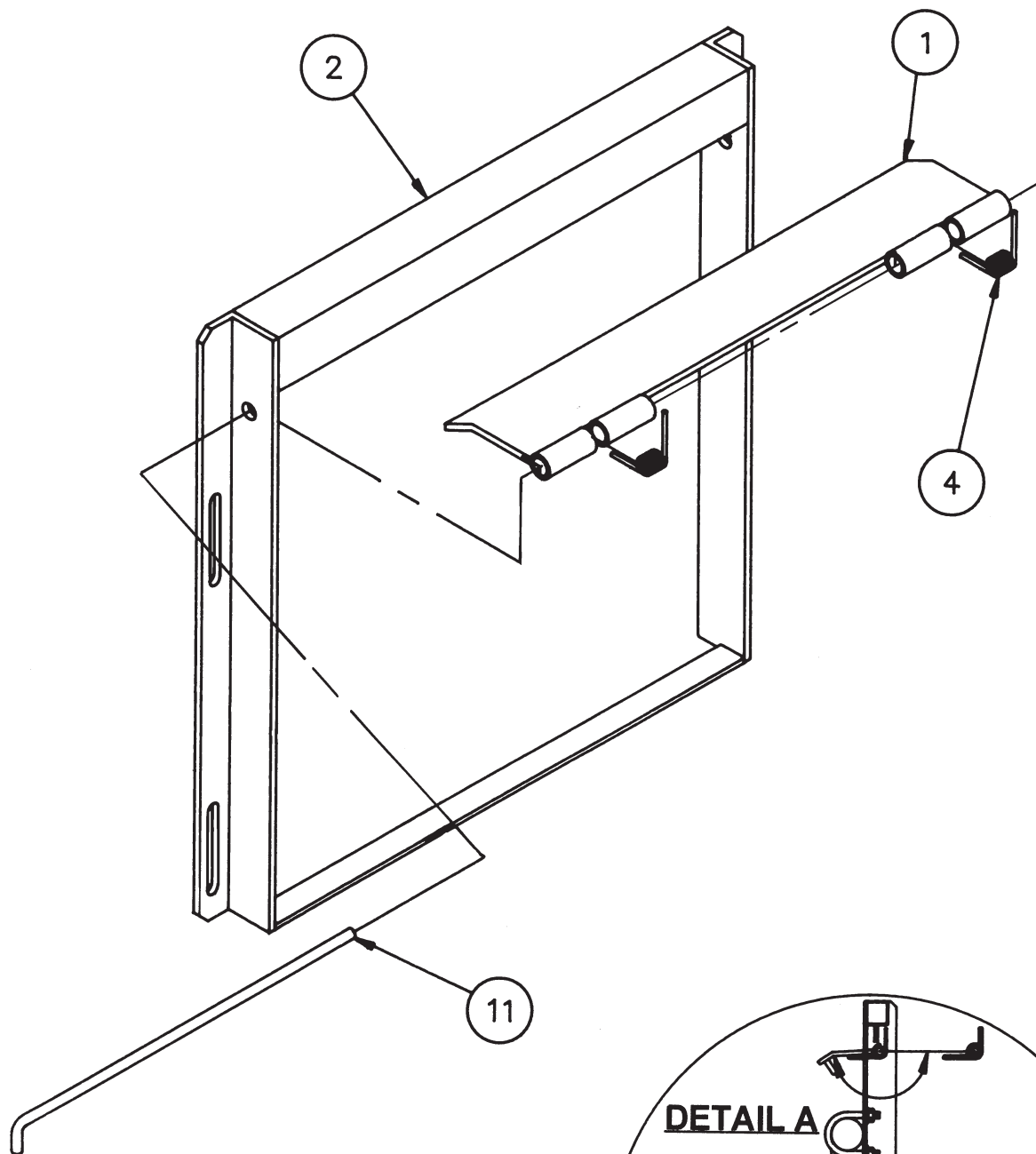
1. First, move the plate into the position that is in line with the holes on the latch bracket holder. Tilt the plate back as shown in Illustration A. At this stage you will be ready to add the two torsion springs.
2. Position the torsion springs (62607349) between the two sets of 3/4" pipes that are welded to the plate (It may be easier to assemble one spring at a time.) With the plate tilted back as shown, you will not have pressure on the springs which makes installation easier.
3. Insert the plated 1/2" dia. rod (62607359) into the holes provided on the latch bracket holder and through the 3/4" pipes and torsion springs located on the latch plate. When the rod is positioned all the way through the latch bracket holder, install a 1/2" (3948002) washer on the end of the plate. Slide the clip (2868015) that is provided into the hole located at the end of the plated rod. Install the latch plate onto the latch bracket holder.

NOTE: The torsion springs will not let the latch plate hang vertically. Simply rotate the latch plate by hand back the other way and then release the latch plate. The plate should now hang vertically.

4. The latch bracket holder can now be assembled onto the corral panel. When installing the latch bracket holder to the corral panel you will use four U-bolts (1328129), eight 3/8" nuts and eight 3/8" wrought washers (3948003). See Illustration B.
5. Install the rope (62602380) into the loop provided on the latch plate. String the rope back to the overhead arch that is located at the rear of the care center. Tie the rope to the top tube of the arch and position the tie far enough back so that the rope does not hang down into the animal's eyesight.

COMPONENT LIST

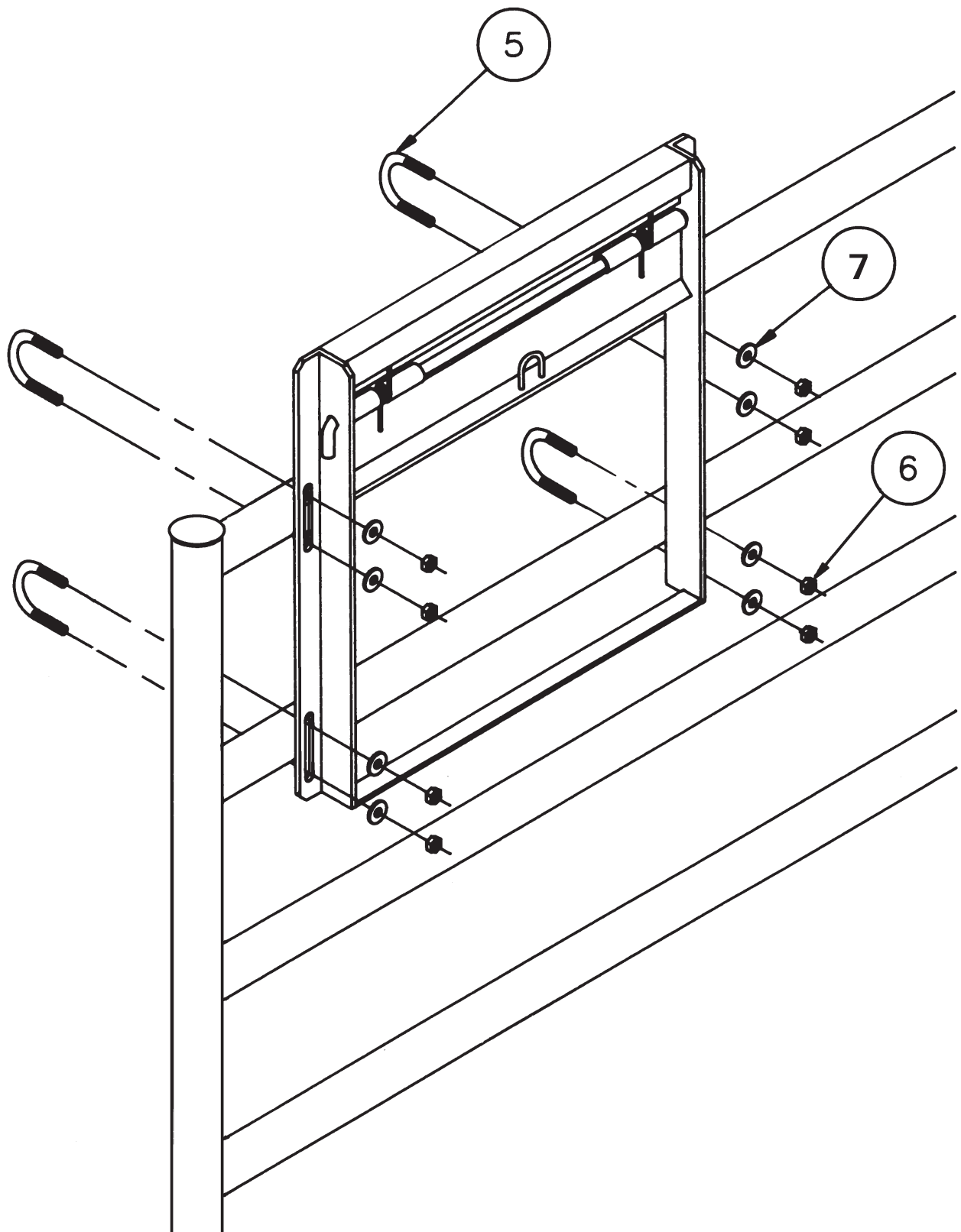
<u>Ref No.</u>	<u>Part No.</u>	<u>Description</u>	<u>Qty.</u>
①	62402361	Latch Plate	1
②	62402351	Latch Bracket Holder	1
③	62602380	Rope 5/16" x 13' Poly	1
④	62607349	Torsion Spring	2
⑤	1328 129	U-Bolt 3/8" x 2" x 2-5/8" (Used for Latch & Bracket)	4
⑥	2688129	3/8" Hex Head Nut Lock 3/8" ZP	8
⑦	3948003	3/8" Wrought Washer	8
⑧	2688 128	1/2" Hex Lock Nut	4
⑨	3948 002	1/2" Wrought Washer	9
⑩	3188 036	Hex Screw 1/2" x 1-1/2"	4
⑪	62607359	1/2" Rod - Red	1
⑫	2868 015	Pin Hitch Clip 3/32" #2	1



NOTE:

This is a side view showing the latch bracket mounted to a corrugated panel. The illustration also shows how to install the latch and torsion springs.

The springs will prevent the latch from hanging vertically after it has been installed onto the latch bracket. Rotate the latch back from the other way, as the arrow is showing, to form the legs of the spring straight. The latch should hang vertically after the procedure is completed.

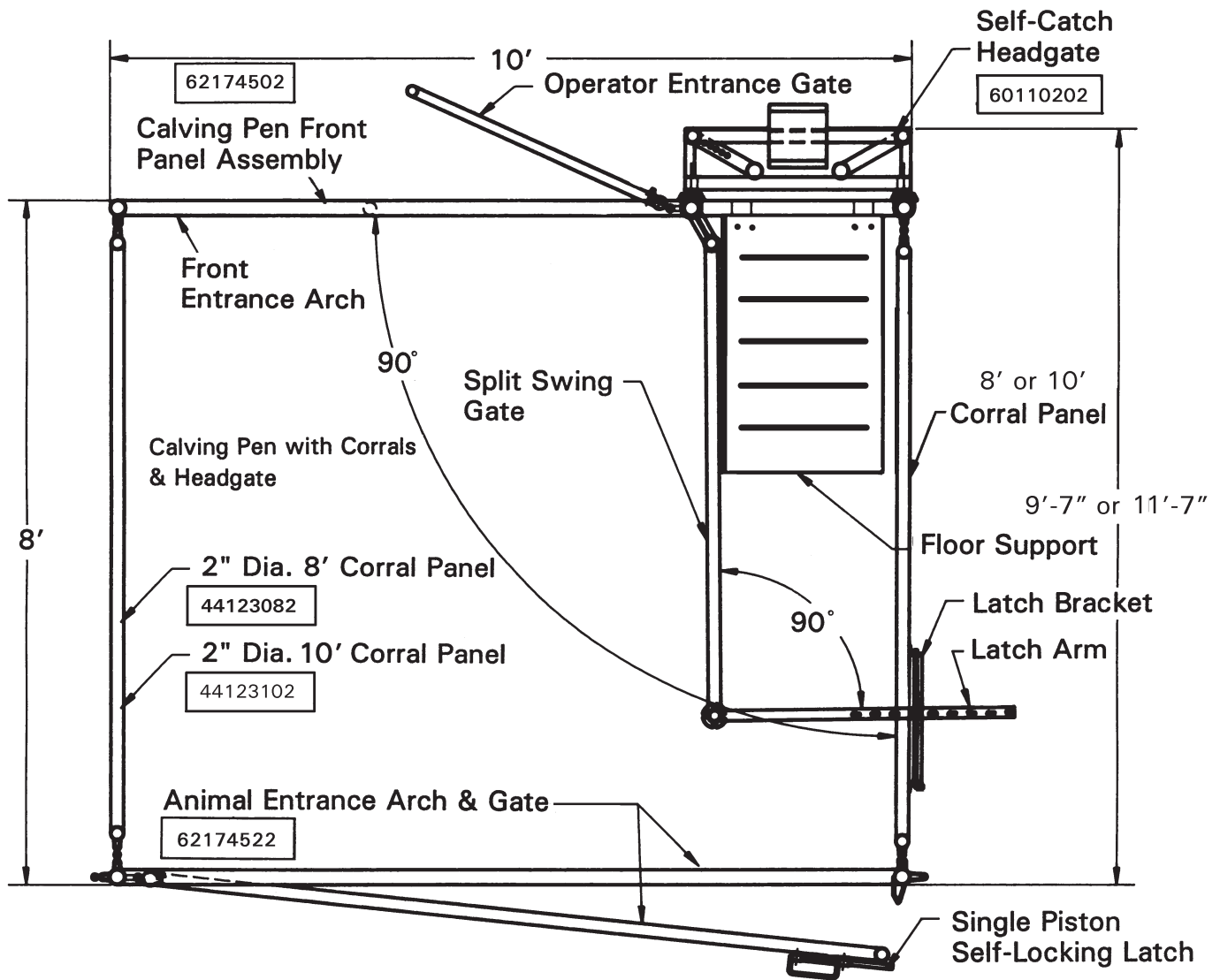


This view shows the assembly of the Portable Care Center's latch. Note the position of the torsion springs. The spring extension legs should be facing outward.

INSTRUCTIONS FOR BOLTING HEADGATE TO PORTABLE CARE CENTER

Attach headgate by lining up the four brackets on the back of the headgate to the four brackets on the front side of the care center front. Assemble together using the following hardware:

- (4) 1/2" x 1 1/2" Hex Screws
- (8) 1/2" Washers
- (4) 1/2" Hex Lock Nuts



CAUTION: This unit is designed for one cow/calf pair ONLY. If more than one pair needs to be confined overnight for observation, it is recommended to use the 10' or 12' corral panels.

If Portable Care Center is being used for sick calves (weighing 500-650 lbs.), no more than five shall be confined in the pen overnight.

NOTE: Place Portable Care Center in an area where the animals will be safe from predators and severe weather conditions.